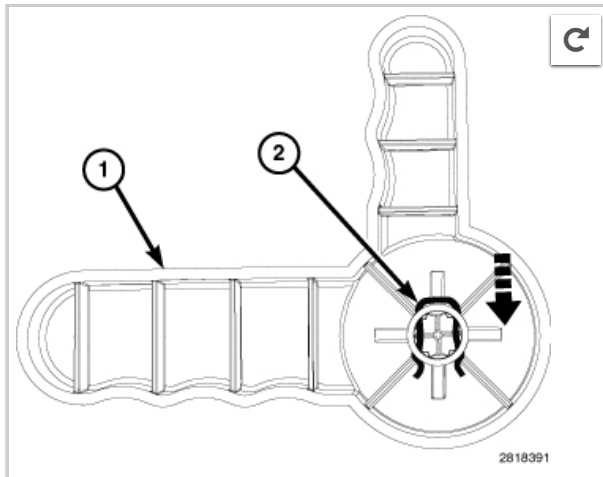


Body • Seats • Front Recliner Handle • Installation

[Report a problem with this article](#)

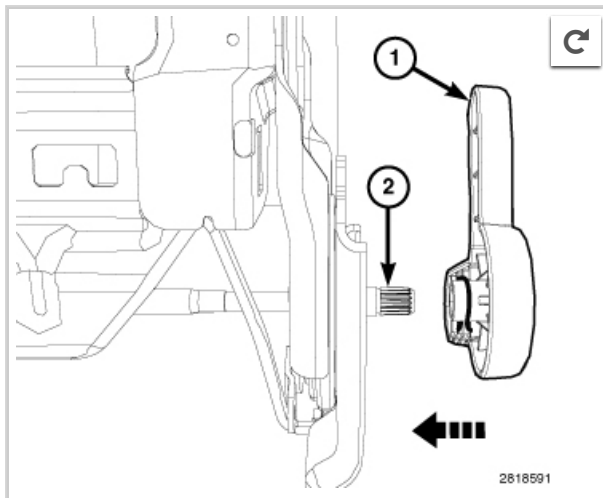
INSTALLATION

✚ Labor Operations: Click to display a list of Labor Operations associated with this procedure

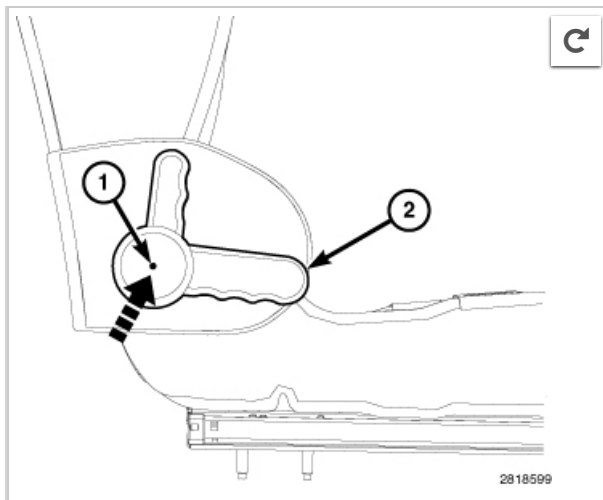


NOTE: EZ Entry handle shown, normal recliner handle similar.

1. Install the clip (2) onto the recliner handle (1), if necessary.



2. Position the recliner handle (1) onto the spined shaft (2).



CAUTION: Press the handle (2) on only at the location of the spined shaft (1). Failure to do so may result in a damaged recliner handle.

3. Pressing at the location of the spined shaft (1), seat the recliner handle (2) fully.