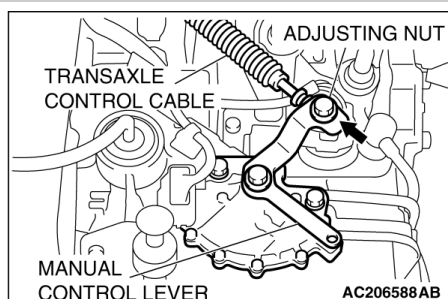


2006 Endeavor (3.8L 6G75)

TRANSMISSION RANGE SWITCH AND CONTROL CABLE ADJUSTMENT

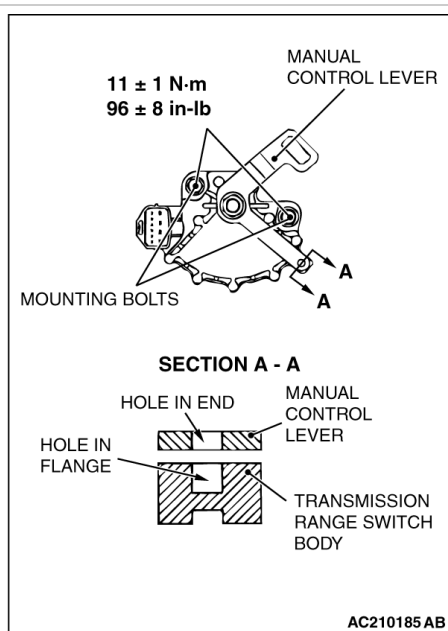
[Report a problem with this article](#)

1. Set the selector lever to the "N" position.



2. Loosen the control cable to the manual control lever coupling nut to free the cable and lever.

3. Set the manual control lever to the neutral position.



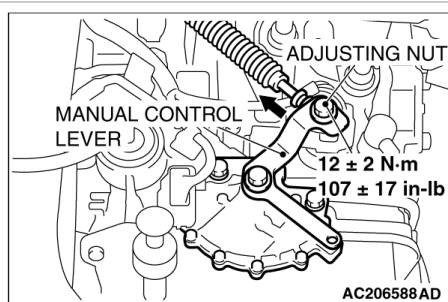
4. Loosen the transmission range switch body mounting bolts and turn the transmission range switch body so the hole in the end of the manual control lever and the hole (section A - A in the figure on the left) in the flange of the transmission range switch body flange are aligned.

note

The transmission range switch body can be aligned by inserting a 5-mm diameter steel bar into the end hole of the manual control lever and the flange hole of the transmission range switch body.

5. Tighten the transmission range switch body mounting bolts to the specified torque. Be careful at this time that the switch body does not move.

Tightening torque: 11 ± 1 N·m (96 ± 8 in-lb)



6. Gently push the transaxle control cable in the direction of the arrow, until the cable is taut. Tighten the adjusting nut.

Tightening torque: 12 ± 2 N·m (107 ± 17 in-lb)

7. Check that the selector lever is in the "N" position.

8. Check that each position of the manual control lever matches each position of the selector lever using scan tool MB991958 (M.U.T.-III sub assembly).