

## AUDIO AND CLIMATE CONTROL ASSEMBLY (G1005947)

### REMOVAL AND INSTALLATION

82.20.12	COMBINED TEMPERATURE AND AIR FLOW CONTROL SWITCH ASSEMBLY - FRONT - RENEW	ALL DERIVATIVES	0.40	USED WITHINS	
----------	--	-----------------	------	--------------	--

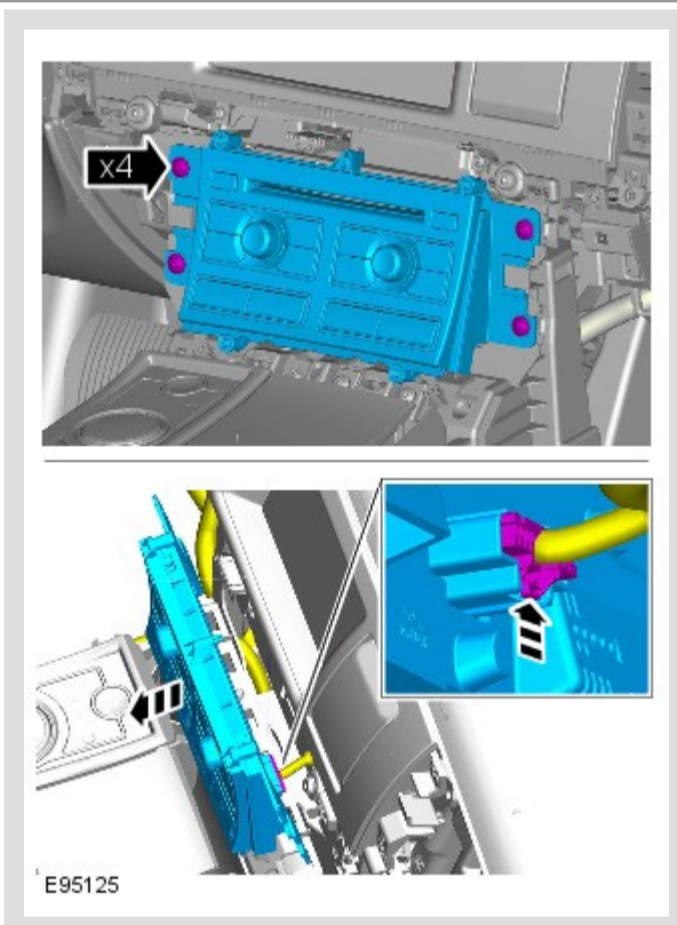
### REMOVAL

#### NOTE:

Removal steps in this procedure may contain installation details.

1. Remove both floor console side trim panels.  
Refer to: Floor Console Side Trim Panel (501-12 Instrument Panel and Console, Removal and Installation).

2.



*Torque: 4 Nm*

### INSTALLATION

1. To install, reverse the removal procedure.

## REMOVAL AND INSTALLATION

76.25.02

CONSOLE SIDE  
CASING - RENEW

ALL DERIVATIVES

0.50

USED WITHINS

## REMOVAL

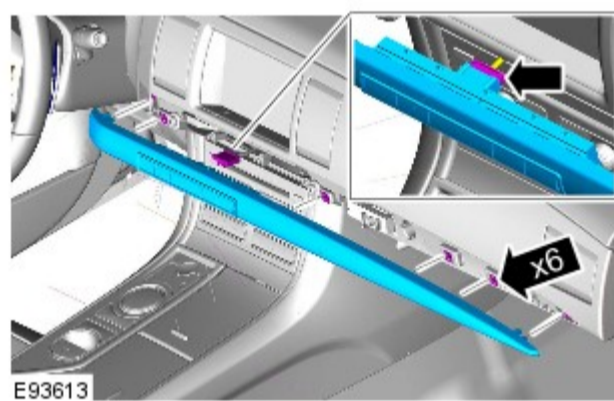
## NOTES:

- LHD right-hand floor console side trim panel shown, LHD left-hand and both RHD floor console side trim panels are similar.
- Removal steps in this procedure may contain installation details.

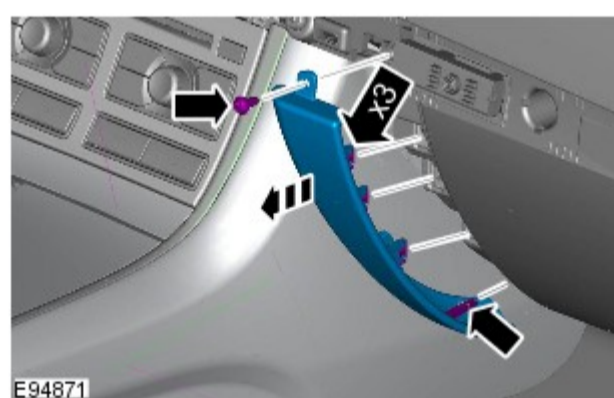
1. Recline the front seats and move to the rear most position.

## NOTE:

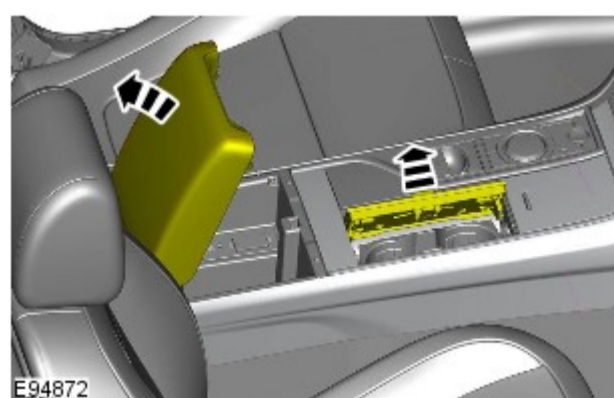
When removing the component, some of the clips may remain attached. These clips should be removed and returned to their original positions in the instrument panel.



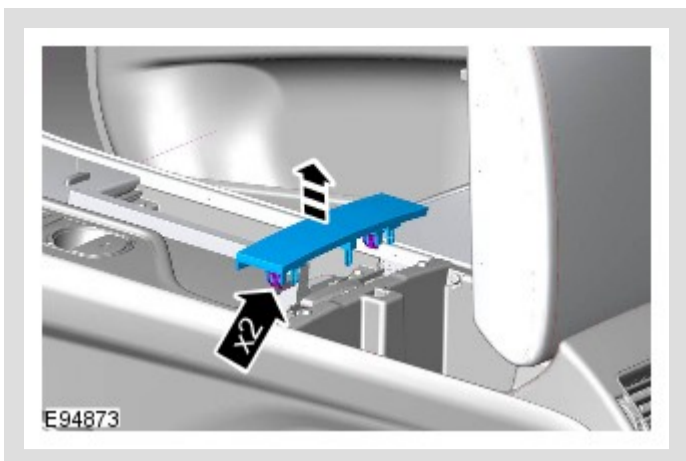
3.



4.



5.



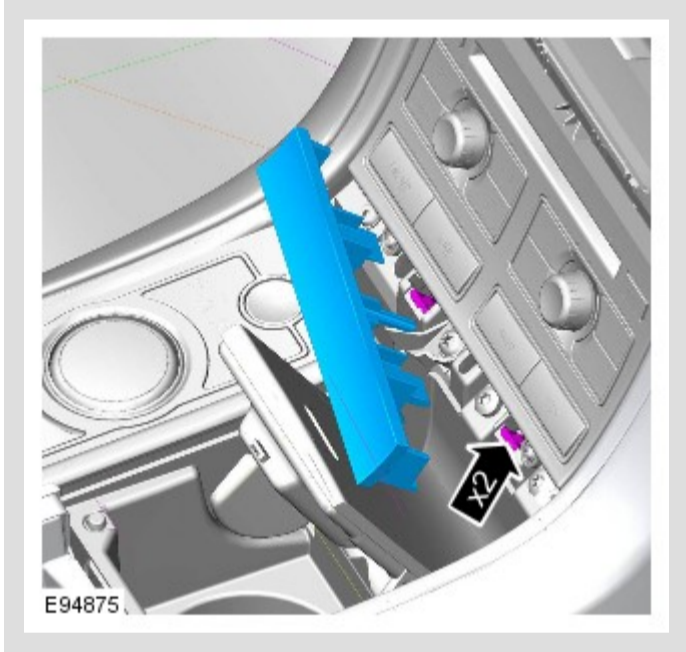
6.



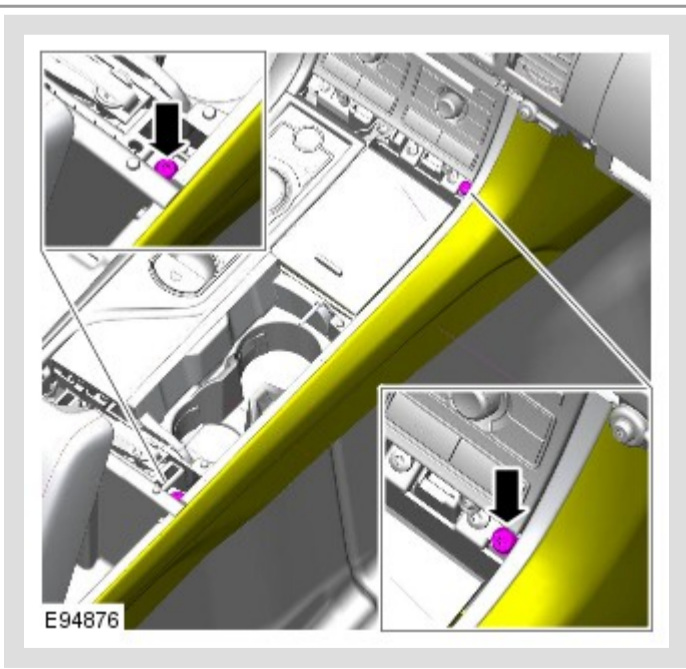
7.

**NOTE:**

When removing the component, some of the clips may remain attached. These clips should be removed and returned to their original positions in the center console.




8.



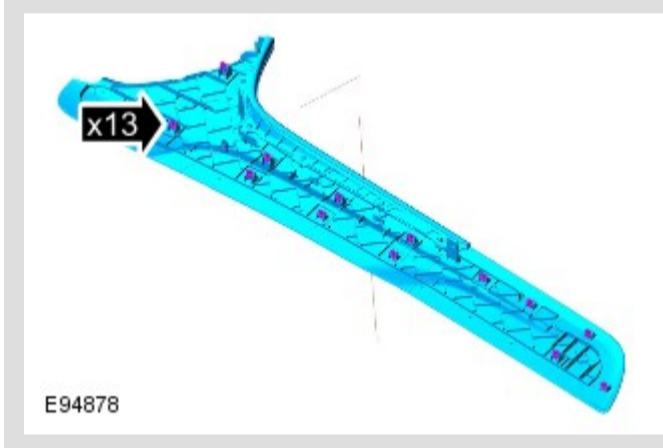
9.



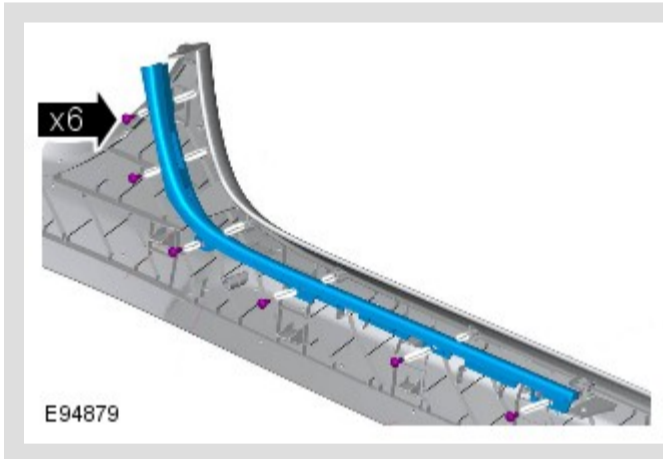
10.

 NOTE:

Do not disassemble further if the component is removed for access only.




11.



INSTALLATION

1.

 NOTE:

Make sure that the veneer trim panel is correctly installed and secured.

To install, reverse the removal procedure.