


REMOVAL AND INSTALLATION

86.50.39	MULTI FUNCTION TOUCH SCREEN DISPLAY MODULE - RENEW	ALL DERIVATIVES	0.80	USED WITHINS
----------	--	-----------------	------	--------------

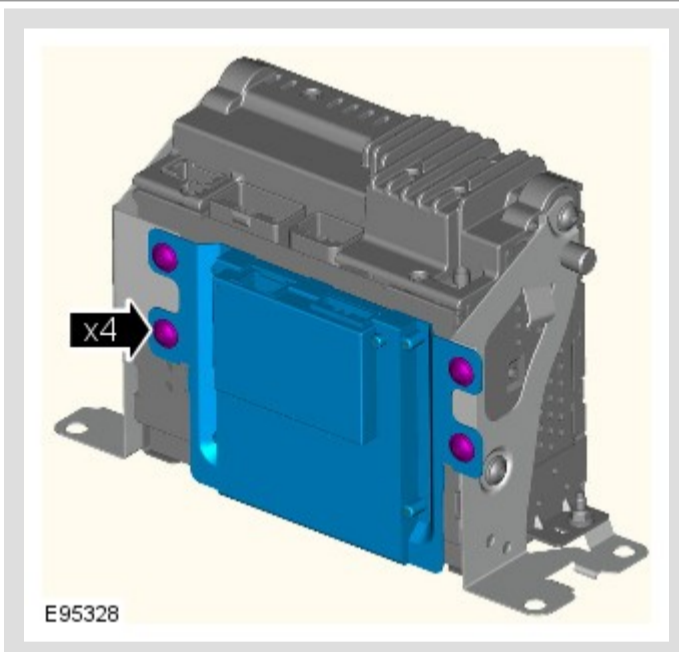
REMOVAL

 NOTE:

Removal steps in this procedure may contain installation details.

1. Refer to: Startup Battery Disconnect and Connect (414-01, General Procedures).
2. Refer to: Audio Unit (415-01 Information and Entertainment System, Removal and Installation).


3.



Torque: 3 Nm

INSTALLATION

1.

 NOTE:

New units must be configured using the Programmable Module Installation Routine in the diagnostic tool.

To install, reverse the removal procedure.