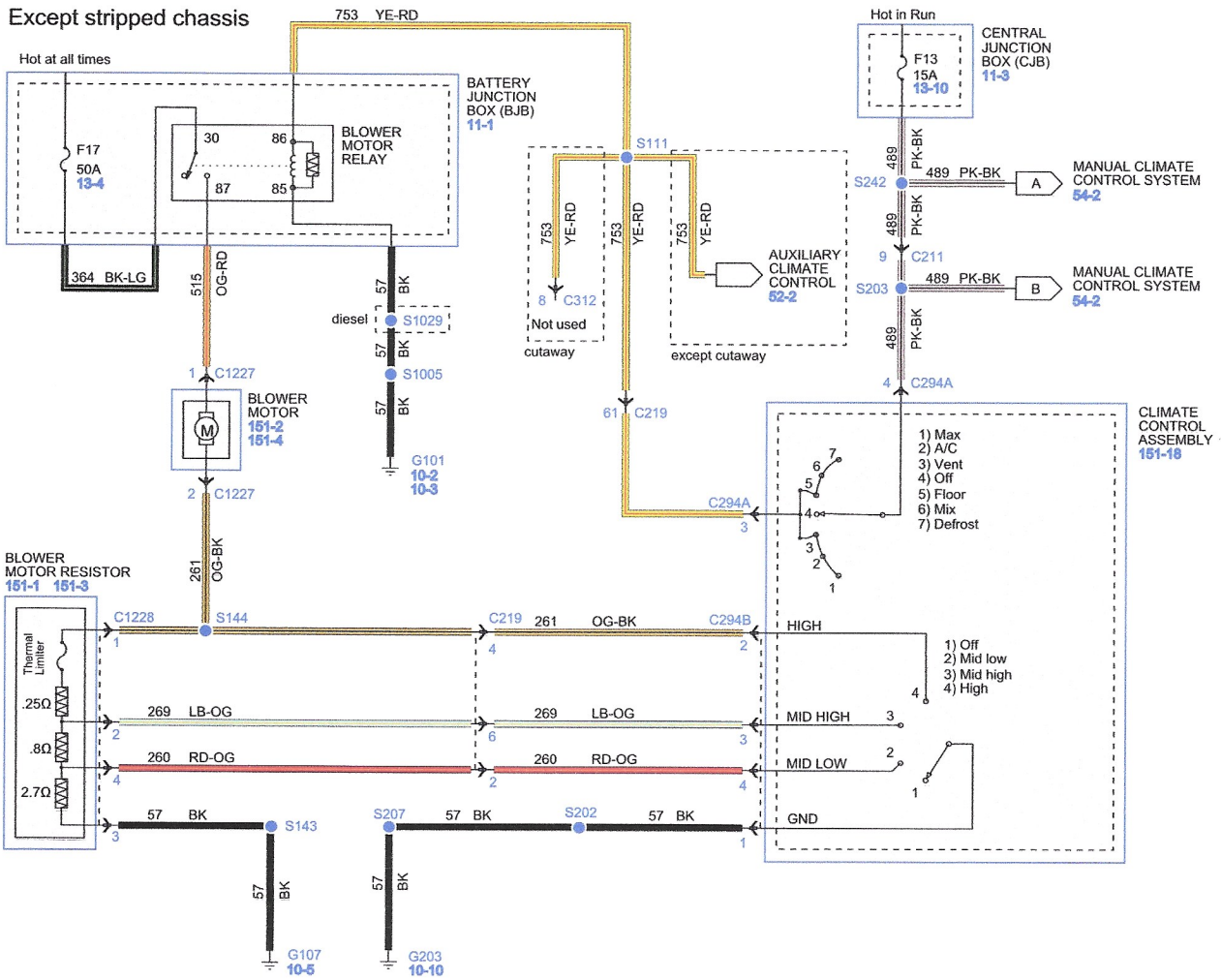


WIRING DIAGRAM: MANUAL CLIMAT...

WIRING DIAGRAM: MANUAL CLIMATE CONTROL SYSTEM (54-1)



This publication contains material that is reproduced and distributed under a license from Ford Motor Company. No further reproduction or distribution of the Ford Motor Company material is allowed without the express written permission of Ford Motor Company.

Copyright 2007 - 2014 Service Repair Solutions, Inc.