



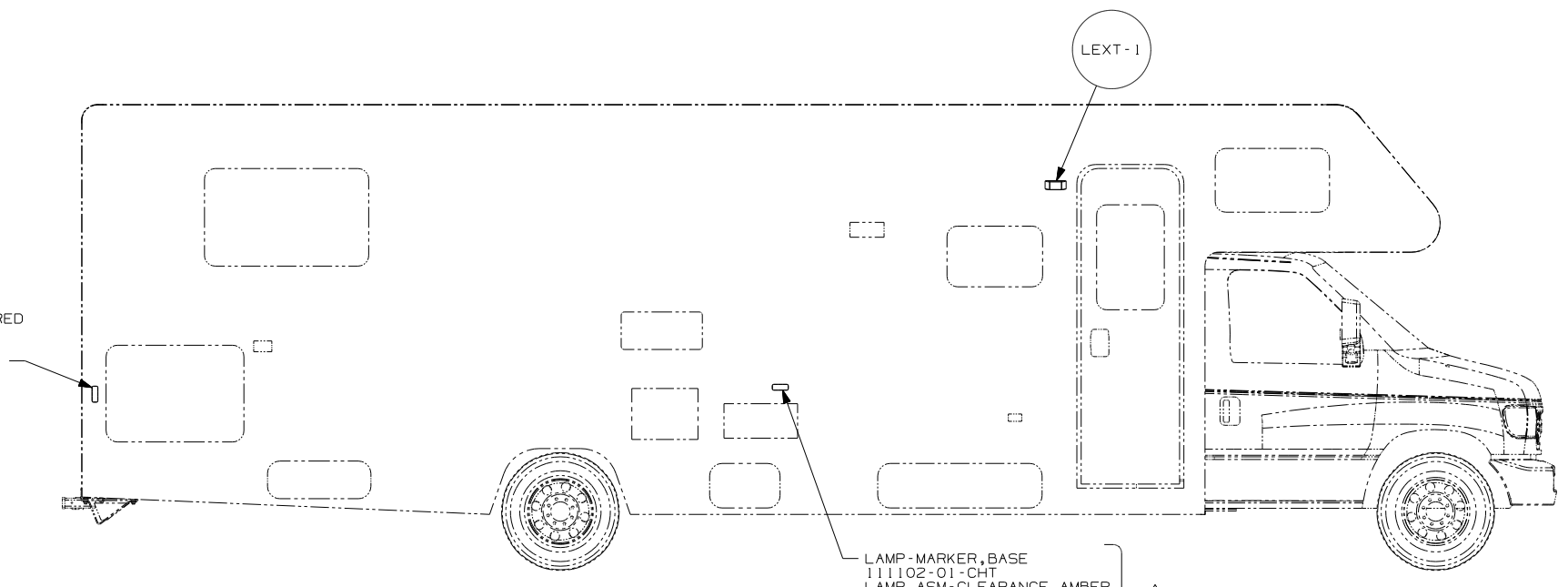
DANGER

Danger of electrical shock, burns or death. Always remove all power sources before attempting any repair, service or diagnostic work. Power can be present from shore power, generator, inverter or battery. All power sources must be disabled and secured before performing any service.



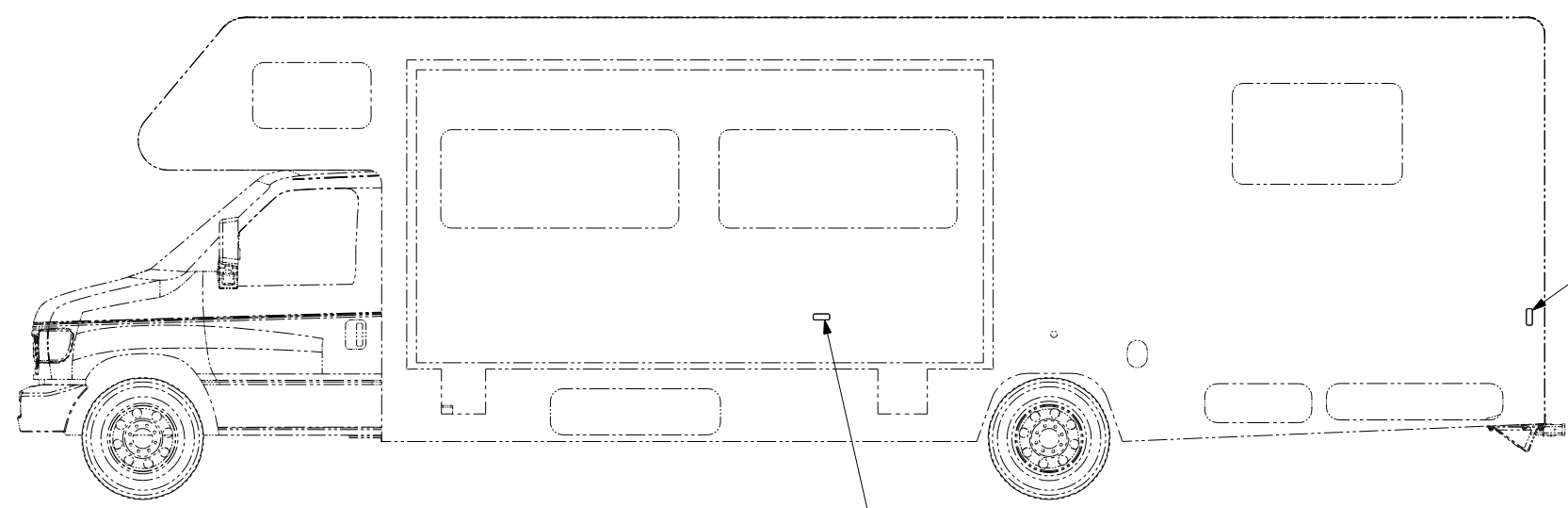
CAUTION

If you lack the skills, tools or equipment to perform diagnostic or repair work leave such work to an authorized Winnebago Industries dealer or other qualified shop.



LAMP-MARKER, BASE
 111102-01-CHT
 LAMP ASM-CLEARANCE, RED
 111102-03-CHT
 SCREW
 G11-08-12U (EXT) (2)

LAMP-MARKER, BASE
 111102-01-CHT
 LAMP ASM-CLEARANCE, AMBER
 111102-02-CHT
 SCREW
 G11-08-12U (EXT) (2)
 CONNECTOR
 58028-01-000 (2)



LAMP-MARKER, BASE
 111102-01-CHT
 LAMP ASM-CLEARANCE, RED
 111102-03-CHT
 SCREW
 G11-08-12U (EXT) (2)

LAMP-MARKER, BASE
 111102-01-CHT
 LAMP ASM-CLEARANCE, AMBER
 111102-02-CHT
 SCREW
 G11-08-12U (EXT) (2)
 CONNECTOR
 58028-01-000 (2)

265 CODES/STANDARDS-CSA/CMVSS
 1B1 CODES/STANDARDS USA
 1B1 265

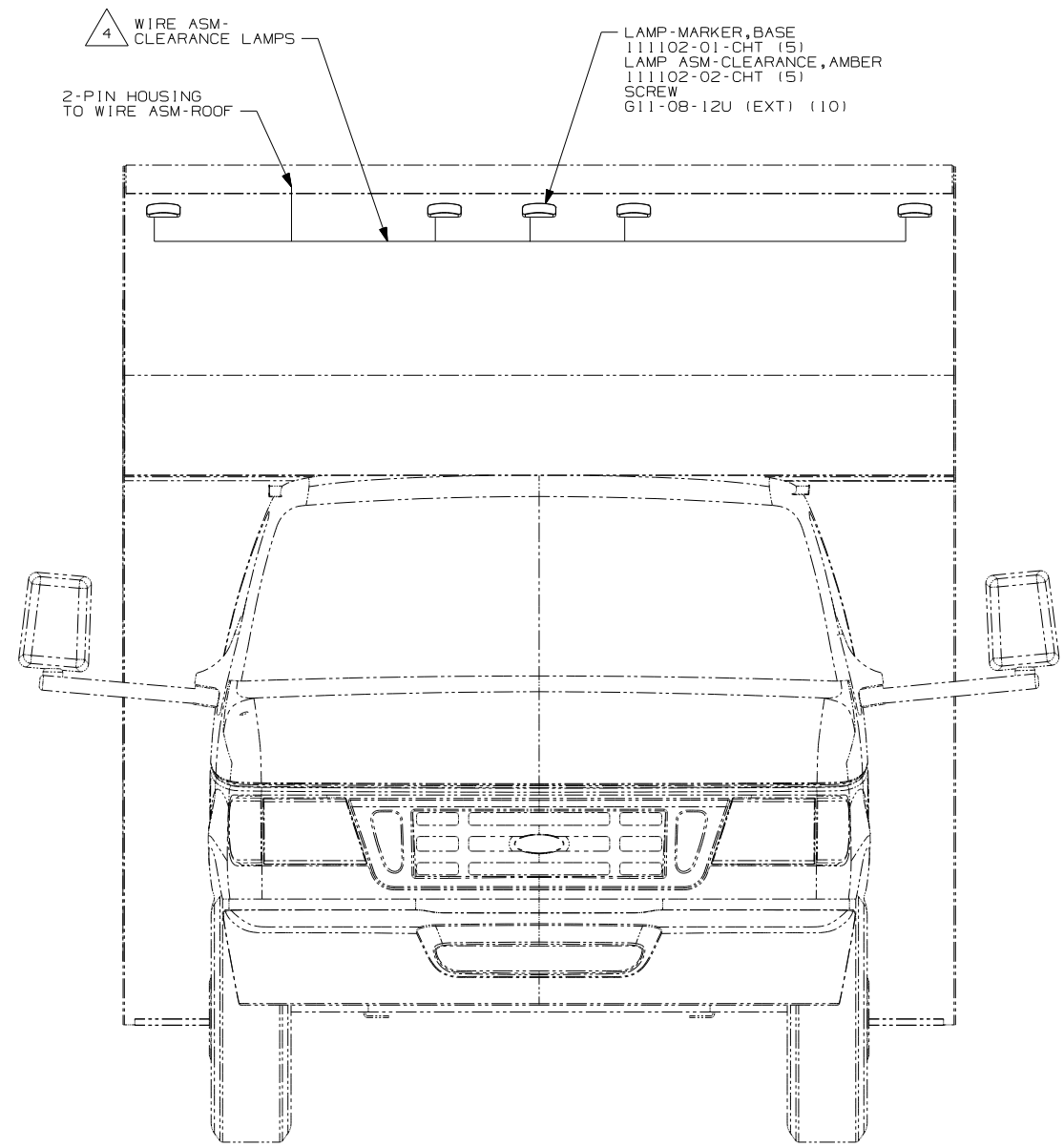


| | |
|-----------------------------|-----------------------------------|
| DFTR | ORIG. DATE |
| CHKR | ALL DIMENSIONS ARE IN MILLIMETERS |
| P.E. | |
| M.E. | FIRST USED |
| DSNR | 08 200-SER |
| UNSPECIFIED TOLERANCES ARE: | |
| WHOLE DIM (X) | : 3 |
| ONE-PLACE (X.X) | : 1.5 |
| TWO-PLACE (X.XX) | : 0.50 |
| ANGLE | : 1° |
| THIRD ANGLE PROJECTION | |

FOR ELECTRICAL TORQUE SPECIFICATIONS SEE DWG NO. 128783-01-000

FOR ELECTRICAL CALLOUTS SEE DWG NO. 121339-01-000

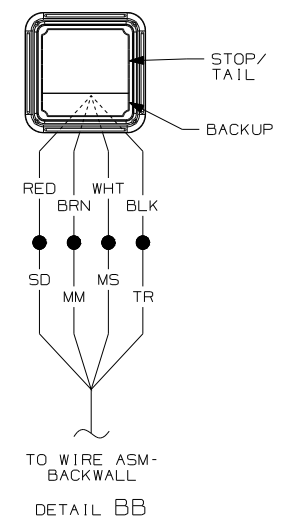
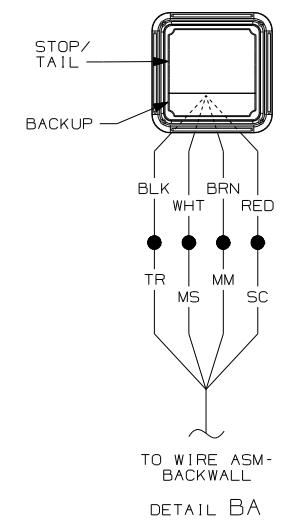
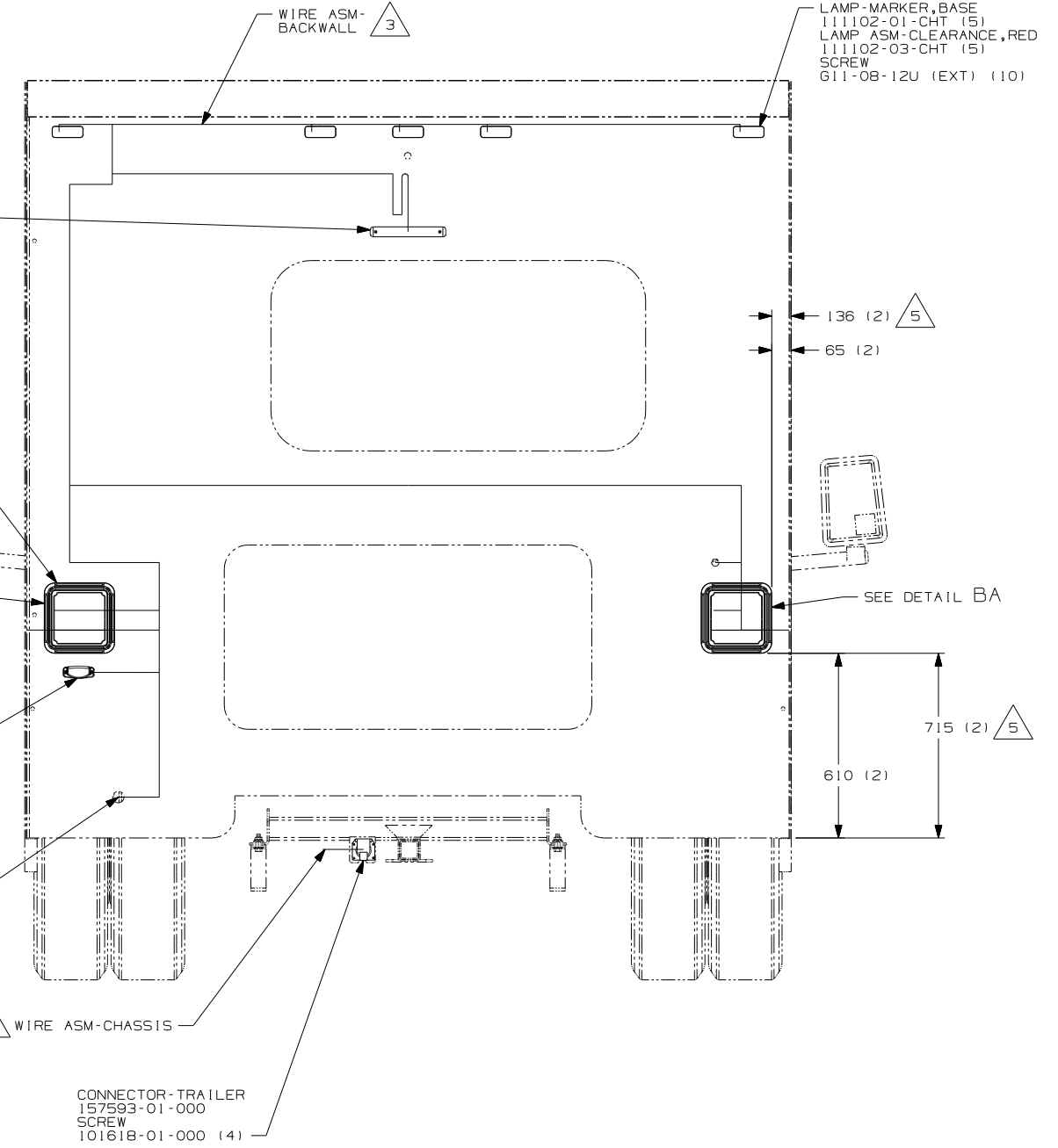
NOTES:
 1 USED ONLY WITH 231C, 229T & 231J.



LIGHT ASM-HIGH MOUNT BRAKE
136916-01-000
SCREW
G11-02-20T (2)
CONNECTOR
58028-01-000 (2)
BLK/WHT-YEL
BLK-WHT

LAMP ASM-STOP/TURN/
TAIL/BACKUP
153658-01-CHT (2)
SCREW
G11-08-12U (8)
CONNECTOR
58028-01-000 (8)
SEALER-TAPE
69640-21-000 (3,4)

BRACKET-LICENSE
66432-03-000
SCREW
G67-10-129 (2)
LIGHT-LICENSE
66432-02-000
SCREW
G39-08-12T (EXT) (2)
CONNECTOR
58028-01-000 (2)



- 5 LIGHT ASSEMBLIES MOUNTED IN THIS POSITION ON THE 226A.
 - 4 LOCATED IN ROOF ASM-FRONT.
 - 3 LOCATED IN BACKWALL ASSEMBLY
 - 2 SECURE WIRE BELOW COACH WITH CLAMP 10495-01-000 AND SCREW G67-10-12B.
- NOTES:
1. CONNECTOR-PLUG, TRAILER 146246-01-000 TO BE SUPPLIED LOOSE IN OWNERS PACKET WITH TRAILER TOW PACKAGE.

FOR ELECTRICAL TORQUE SPECIFICATIONS SEE DWG NO. 128783-01-000

FOR ELECTRICAL CALLOUTS SEE DWG NO. 121339-01-000

265 CODES/STANDARDS-CSA/CMVSS
1B1 CODES/STANDARDS USA

| | |
|---------------------------------------|--------------------|
| FIRST USED | |
| 08 200-SER | |
| DO NOT SCALE DRAWING | |
| TITLE: WIRING INSTL-EXTERIOR LAMPS | |
| SHEET 2 | PART NO 162321 REV |