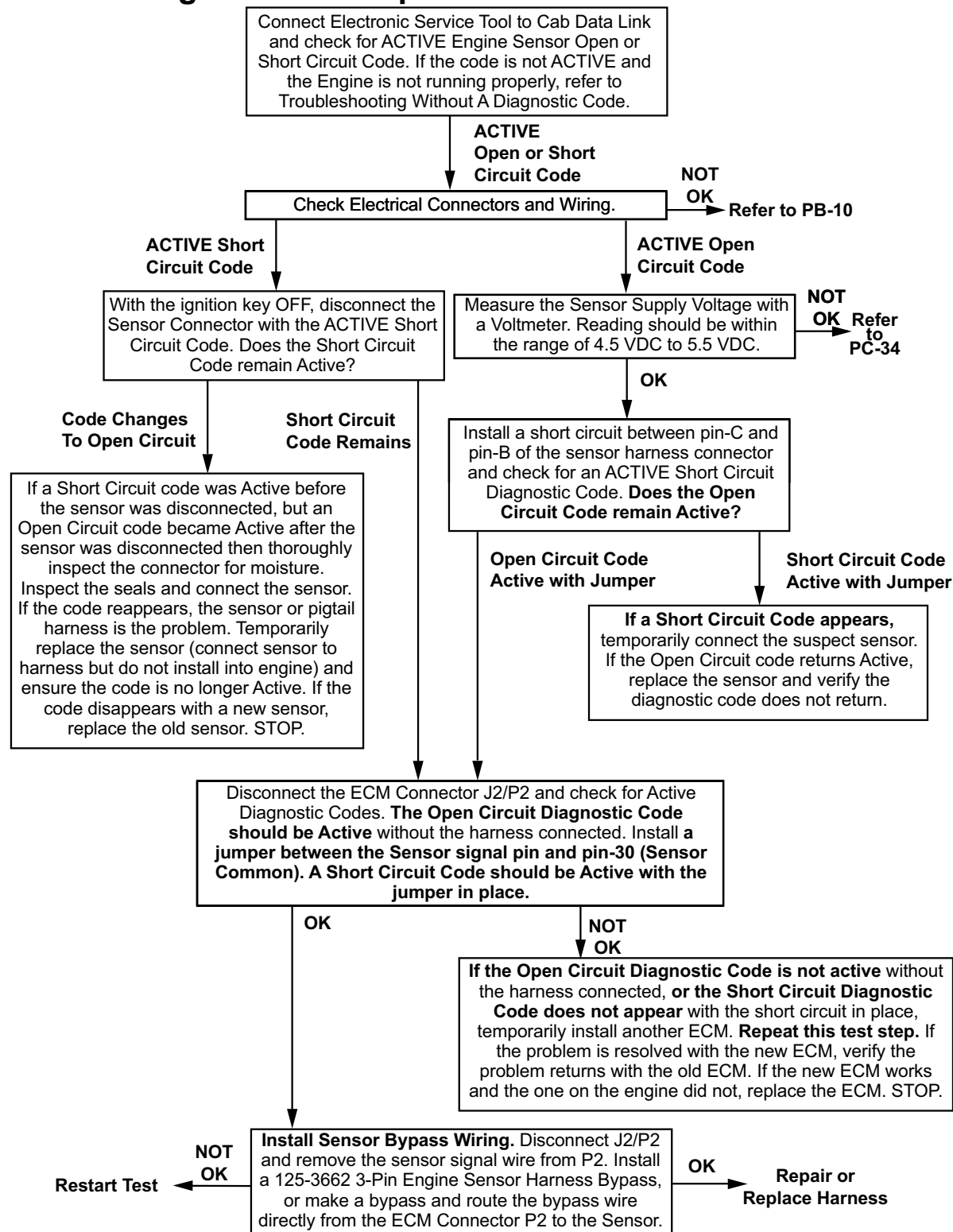


Engine Sensor Open or Short Circuit Test



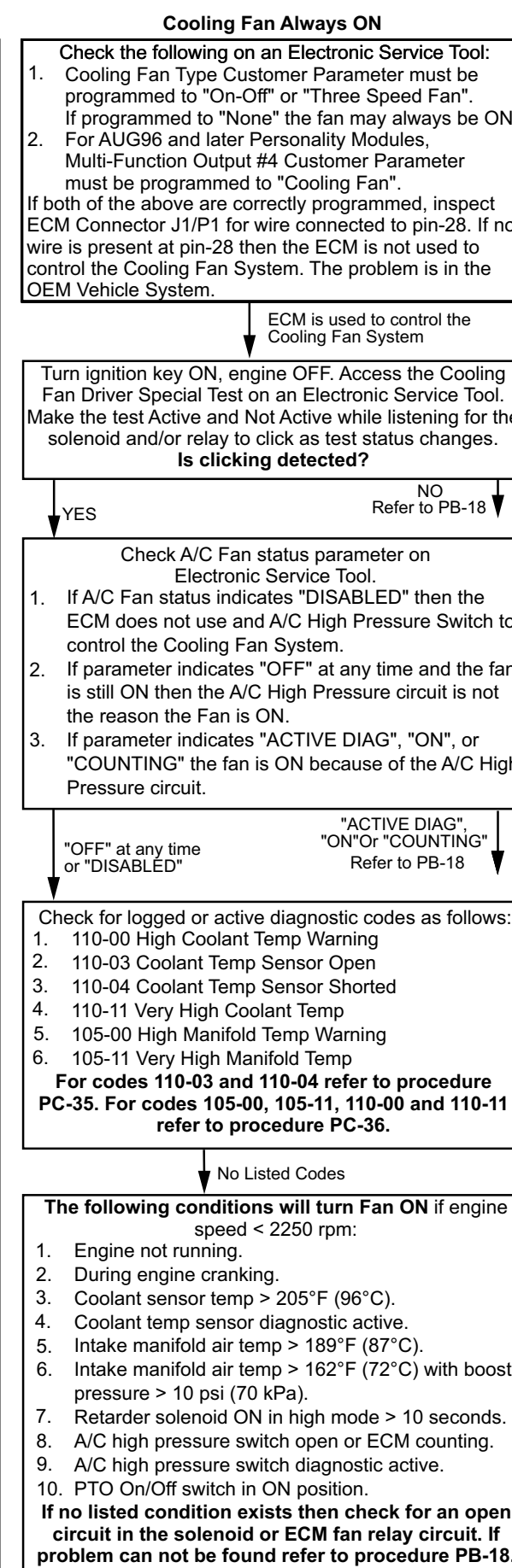
Schematic

**3176B, C-10, C-12, & 3406E
On-highway Engine
Electrical System**

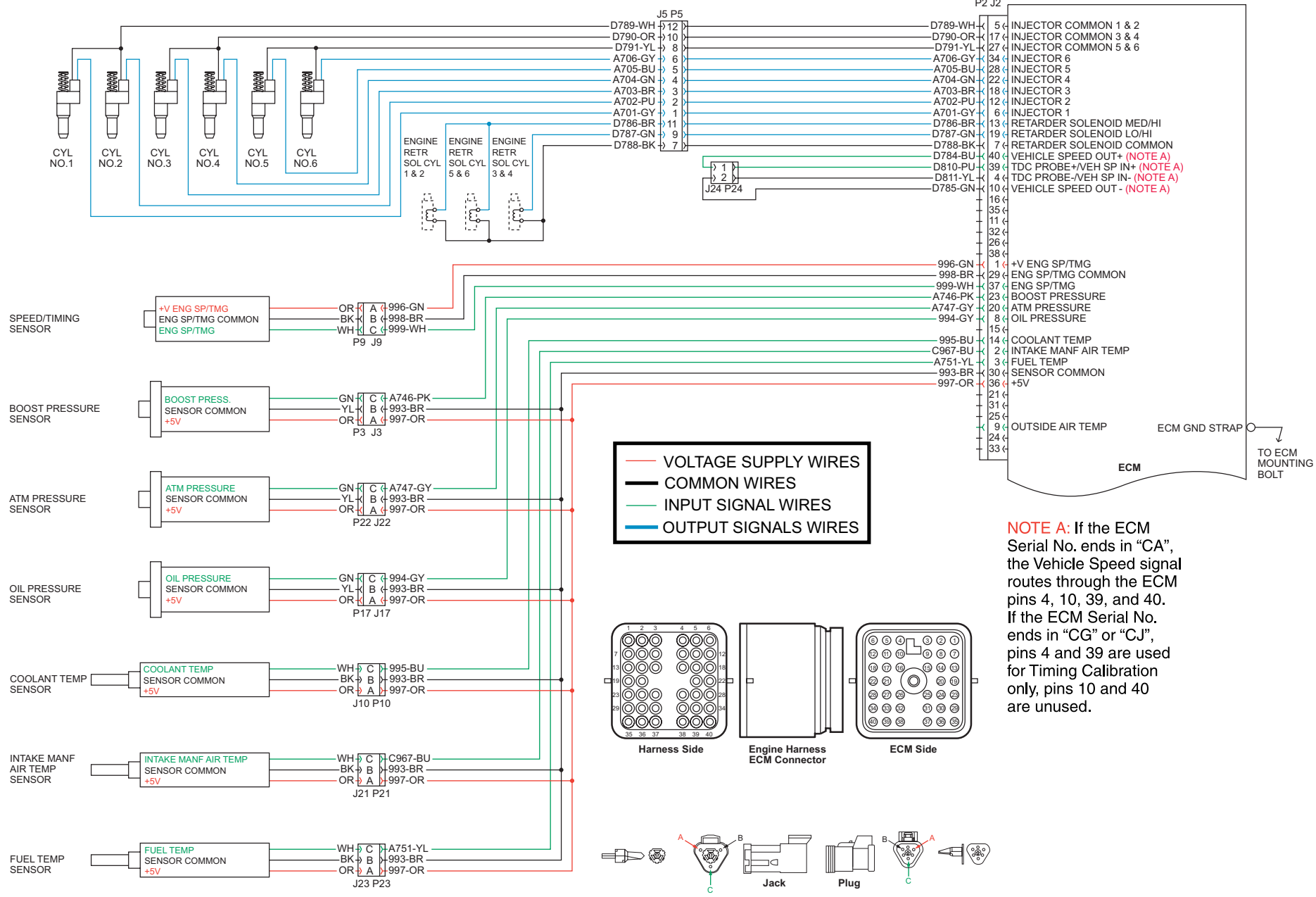
5EK1-UP
9CK1-UP
1YN1-UP
2PN1-UP
6TS1-UP

Diagnostic Code Listing

Code	Description	Flash Code	Troubleshooting Guide Procedure
1-11	Cylinder 1 Fault	72	PC-33
2-11	Cylinder 2 Fault	72	PC-33
3-11	Cylinder 3 Fault	73	PC-33
4-11	Cylinder 4 Fault	73	PC-33
5-11	Cylinder 5 Fault	74	PC-33
6-11	Cylinder 6 Fault	74	PC-33
22-13	Check Timing Sensor Calibration	42	PC-32
26-05	Multi-Function Output #1 Open Circuit	69	PB-25
26-06	Multi-Function Output #1 Short Circuit	69	PB-25
30-08	Invalid PTO Throttle Signal	29	PB-12
30-13	PTO Throttle Sensor Calibration	29	PB-12
40-05	Multi-Function Output #2 Open Circuit	66	PB-25
40-06	Multi-Function Output #2 Short Circuit	66	PB-25
41-03	8 Volt Supply Above Normal	21	PB-12
41-04	8 Volt Supply Below Normal	21	PB-12
51-05	Multi-Function Output #3 Open Circuit	67	PB-25
51-06	Multi-Function Output #3 Short Circuit	67	PB-25
71-00	Idle Shutdown Override	01	PB-21
71-01	Idle Shutdown Occurrence	47	PB-21
71-14	PTO Shutdown Occurrence	47	PB-21
84-00	Vehicle Overspeed Warning	41	PC-36
84-01	Loss of Vehicle Speed Signal	31	PB-14
84-02	Invalid Vehicle Speed Signal	36	PB-14
84-08	Vehicle Speed Out of Range	36	PB-14
84-10	Vehicle Speed Rate of Change	36	PB-14
84-14	Quick Stop Occurrence	00	PB-36
91-08	Invalid Throttle Signal	32	PB-12
91-13	Throttle Sensor Calibration	28	PB-12
100-01	Low Oil Pressure Warning	46	PC-36
100-03	Oil Pressure Sensor Open Circuit	24	PC-35
100-04	Oil Pressure Sensor Short Circuit	24	PC-35
100-11	Very Low Oil Pressure	46	PC-36
102-00	Boost Pressure Reading Stuck High	25	PC-35
102-03	Boost Pressure Sensor Open Circuit	25	PC-35
102-04	Boost Pressure Sensor Short Circuit	25	PC-35
102-13	Boost Pressure Sensor Calibration	42	PC-37
105-00	High Intake Manifold Temp Warning	64	PC-36
105-03	Intake Manifold Temp Sensor Open Circuit	38	PC-35
105-04	Intake Manifold Temp Sensor Short Circuit	38	PC-35
105-11	Very High Intake Manifold Temp	64	PC-36
108-03	Atmospheric Pr Sensor Open Circuit	26	PC-35
108-04	Atmospheric Pr Sensor Short Circuit	26	PC-35
110-00	High Coolant Temperature Warning	61	PC-36
110-03	Coolant Temp Sensor Open Circuit	27	PC-35
110-04	Coolant Temp Sensor Short Circuit	27	PC-35
110-11	Very High Coolant Temperature	61	PC-36
111-01	Low Coolant Level Warning	62	PC-36
111-02	Coolant Level Sensor Fault	12	PB-17
111-11	Very Low Coolant Level	62	PC-36
121-05	Retarder Solenoid Lo/Hi Open Circuit	14	PB-20
121-06	Retarder Solenoid Lo/Hi Short Circuit	14	PB-20
122-05	Retarder Solenoid Med/Hi Open Circuit	14	PB-20
122-06	Retarder Solenoid Med/Hi Short Circuit	14	PB-20
168-02	Low or Intermittent Battery	51	PB-11
171-03	Outside Air Temp Sensor Open Circuit	00	PC-35
171-04	Outside Air Temp Sensor Short Circuit	00	PC-35
171-11	No Ambient Air Temperature Data	00	PB-21
174-00	High Fuel Temp Warning	65	PC-36
174-03	Fuel Temp Sensor Open Circuit	13	PC-35
174-04	Fuel Temp Sensor Short Circuit	13	PC-35
190-00	Engine Overspeed Warning	35	PC-36
190-02	Loss of Engine RPM Signal	34	PC-31
228-03	A/C High Pressure Sw Open Circuit	19	PB-18
231-11	J1939 Data Link Fault	58	PB-24
232-03	5 Volt Supply Above Normal	21	PC-34
232-04	5 Volt Supply Below Normal	21	PC-34
244-02	Event Recorder Data Lost	02	PB-11
249-11	J1922 Data Link Fault	58	PB-24
252-11	Incorrect Engine Software	59	PC-30
253-02	Check Customer or System Parameters	56	PC-30
253-11	Check Transmission Customer Parameters	56	PC-30
254-12	ECM Fault	53	PC-30



3176B, C-10, C-12, & 3406E Engine Harness Wiring Diagram



3176B, C-10, C-12, & 3406E OEM Vehicle Harness Wiring Diagram

