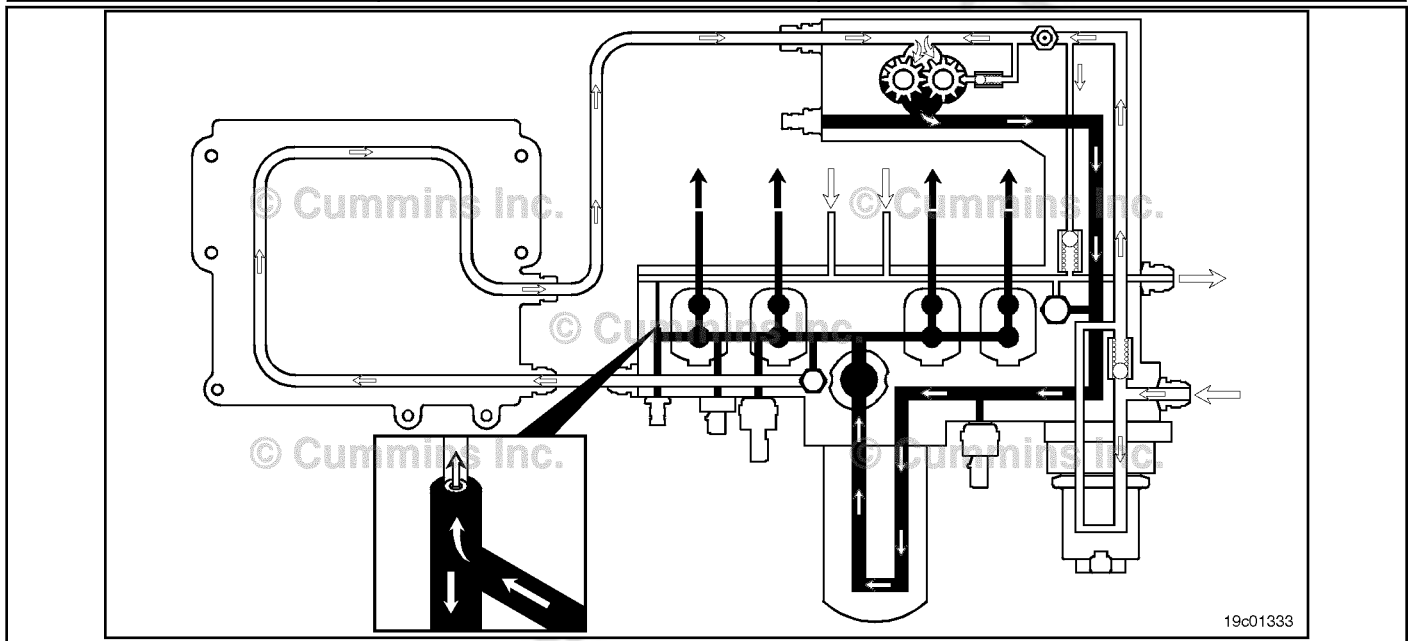


Fault Code 482

Engine Fuel Delivery Pressure - Data Valid But Below Normal Operating Range - Moderately Severe Level

CODES	REASON	EFFECT
Fault Code: 482 PID(P), SID(S): P94 SPN: 94 FMI: 1/18 Lamp: None SRT:	Low fuel delivery pressure has been detected.	Engine may run rough, may stop running, may not start, or may be difficult to start.



Fuel System Flow

Circuit Description:

The engine control module (ECM) provides a 5 volt supply and ground to the fuel pressure sensor on the sensor supply circuit. The Fuel pressure sensor provides a signal to the ECM on the fuel pressure sensor signal circuit. This sensor monitors the fuel pressure from the low fuel pressure system (lift pump to the stage 2 filter).

Component Location:

The fuel pressure and the Fuel temperature sensors are located in the stage 2 filter housing. The Stage 2 filter housing is located on the left side of the engine, above the valve cover.

Conditions for Running the Diagnostics:

This diagnostic runs continuously when the engine is running.

Conditions for Setting the Fault Codes:

The Engine Control Module (ECM) detected the measured fuel pressure is less than 4.5 bar.

Action Taken When the Fault Code is Active:

- The ECM logs the fault code immediately when the diagnostic runs and fails.

Conditions for Clearing the Fault Code:

- To validate the repair, perform a key cycle, start the engine and let it idle for 1 minute.
- The fault code status displayed by the recommended Cummins® electronic service tool or equivalent will change to INACTIVE immediately after the diagnostic runs and passes.
- The “Reset All Faults” command in the recommended Cummins® electronic service tool or equivalent can be used to clear active and inactive faults.

Shop Talk:

Possible causes of this fault code include:

A malfunctioning fuel lift pump

A leak between the lift pump and Stage 2 filter

A plugged fuel filter

Refer to Troubleshooting Fault Code 482 .

Copyright Cummins Inc.

Copyright Cummins Inc.