

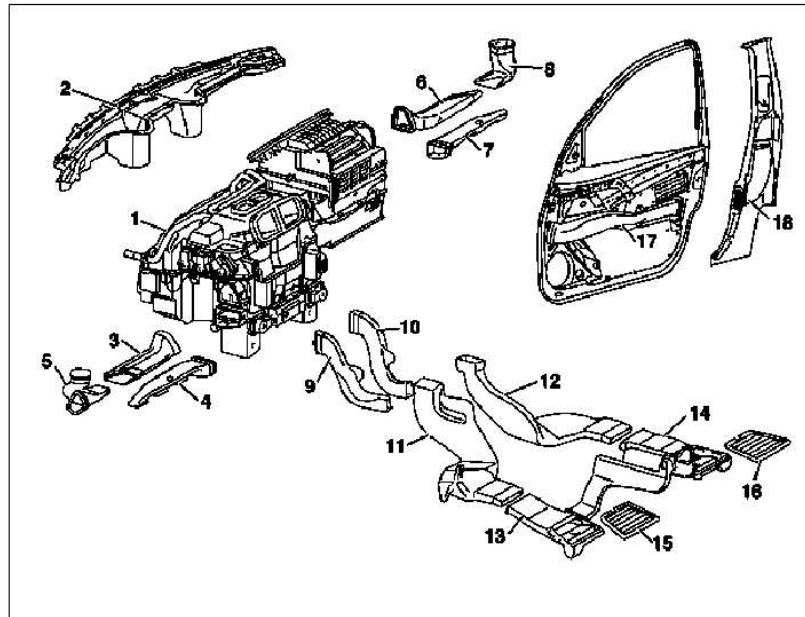
83.10 AIR DUCTS ARRANGEMENT (...)

GF83.10-P-2101-01I

Air ducts arrangement

GF

- The air duct (2) to the windshield/side window defroster outlets is located in the front center under the instrument panel.
- The air ducts (3, 5, 6, 8) for the side/door/rear side defroster outlets are located under the instrument panel.
- The air ducts (4, 7) to the front footwell air outlets are located under the instrument panel.
- The air ducts (17, 18) to the rear side outlet are located under the front door trim and integrated in the B-pillar trim.
- The air ducts (9, 10) to the rear outlet are located under the center console and are integrated in the rear area of the center console (on code 582, rear air conditioning only)
- The air ducts (11, 12) to the rear footwell outlets are located under the center console. The air ducts (13, 14) are routed on the vehicle floor.



P83.10-2039-06