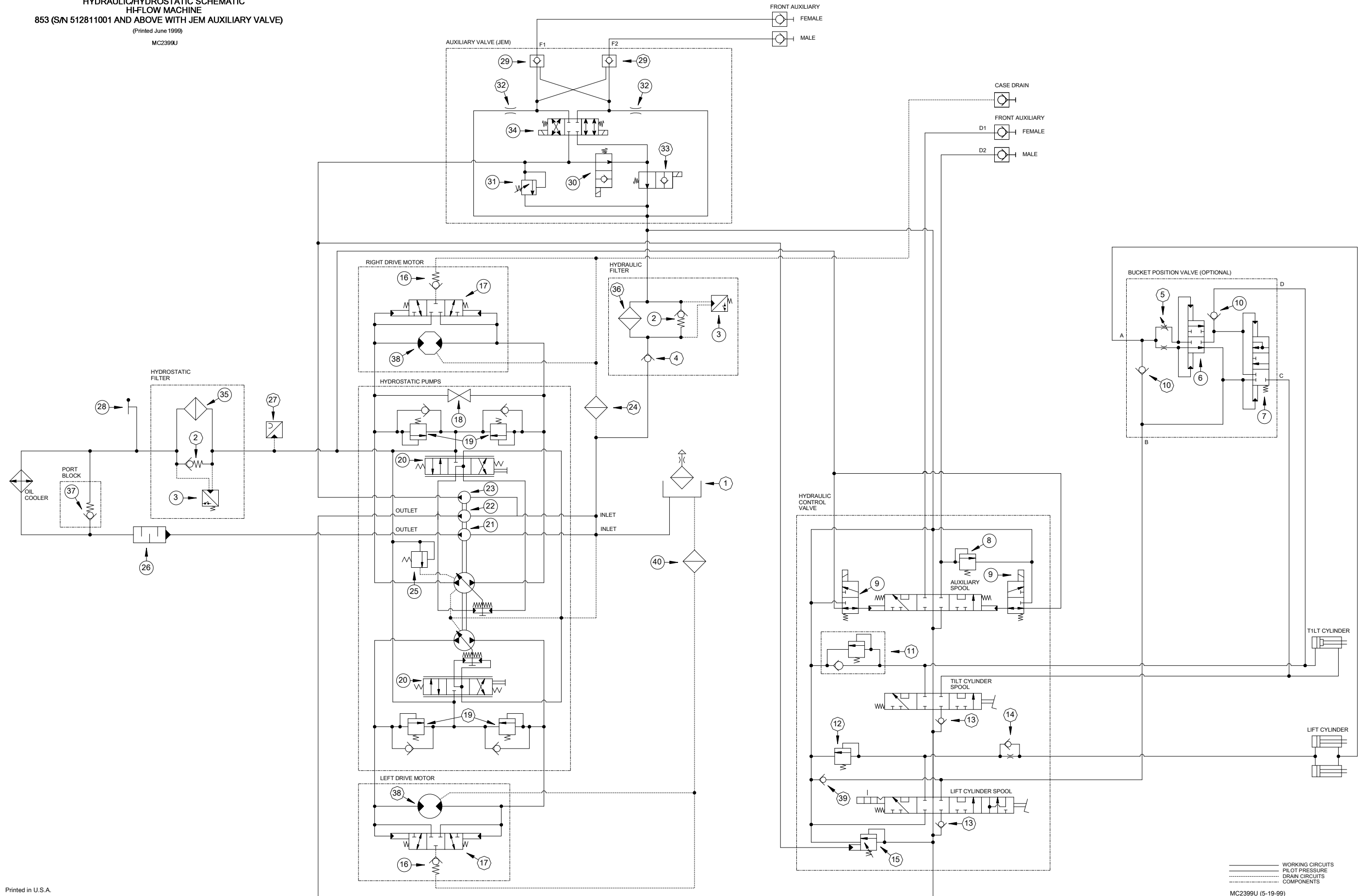


HYDRAULIC/HYDROSTATIC SCHEMATIC
 HI-FLOW MACHINE
 853 (S/N 512811001 AND ABOVE WITH JEM AUXILIARY VALVE)
 (Printed June 1999)
 MC2399U



————— WORKING CIRCUITS
 - - - - - PILOT PRESSURE
 ······ DRAIN CIRCUITS
 ———— COMPONENTS

MC2399U (5-19-99)