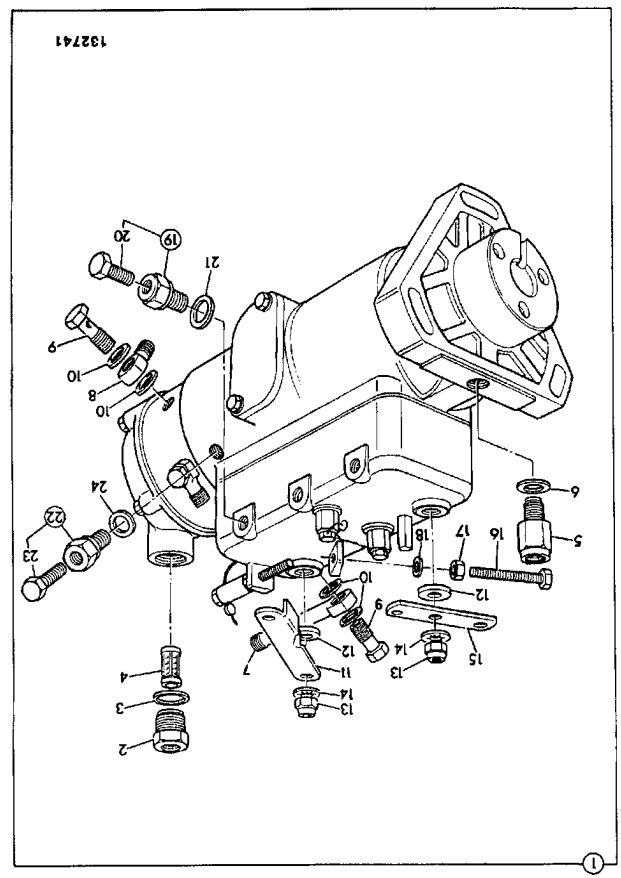


ITEM	PART NO	CHANGE NO	DESCRIPTION	REMARKS	USAGE CODE	QTY
29	1305/0108Z To EU054498M		Bolt			8
30	02/101326		Pipe, fuel, leak-off			1
31	02/100290		Bolt			3
32	02/100081		Washer			8
33	02/100355		Adapter			1

ISSUE L6-1-4 PUMP, FUEL INJECTION, L3 BUILD



ITEM	PART NO	CHANGE NO	DESCRIPTION	REMARKS	USAGE CODE	QTY
1	17/104100	Superseded	Pump, Fuel Injection	LJ50183.LJ50223	P/EX	1
2	17/105205		Connector			1
3	17/105206		Washer, seal			1
4	17/105207		Filter, injection pump			1
5	17/105203		Connector			1
6	17/105204		Washer, seal			1
7	17/105001		Connector, banjo			1
8	17/105601		Connector, banjo			3
9	17/104401		Valve, pressure			4
10	17/105204		Washer, seal			8
11	17/104001		Lever			1
12	17/105215		Cap			2
13	17/103903		Nut			2
14	17/105217		Washer			1
15	17/104002		Lever			1
16	17/103902		Screw			1
17	17/103903		Nut			1
18	17/105312		Washer			1
19	17/105224		Screw, vent assembly			1
20	17/105225		Screw, vent			1
21	17/105226		Washer, seal			1
22	17/103905		Screw, vent assembly			1
23	17/105225		Screw, vent			1
24	17/103906		Washer, seal			1