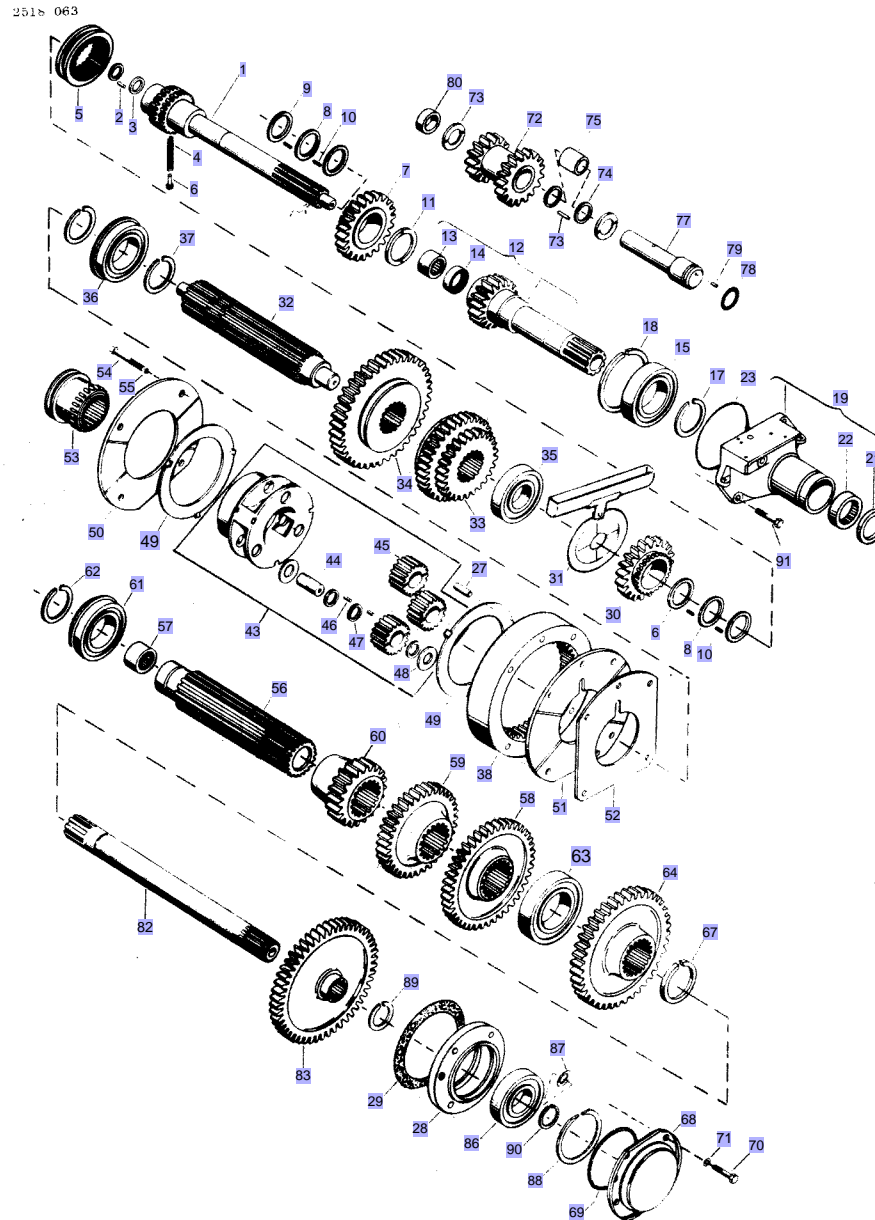


651381
245 (PRIOR TO 9A349239) TRACTOR

TRANSMISSION

157



1st Print

651 381 M95 (ISSUE 1) 1/85

651381
245 (PRIOR TO 9A349239) TRACTOR

157
TRANSMISSION (MANUAL SHUTTLE)

Item	Part Number	Description	Qty	Tech Spec	Notes	Ref
1	532530M1	SHAFT (24 TEETH AND 10 SPLINES)	1			
2	832908M1	ROLLER (5/32 X 47/64")	23			
3	191728M1	WASHER (1-1/16 X 1-5/16 X 7/64")	2			
4	190114M1	SPRING, DETENT	1			
5	514636M1	COLLAR, SHIFTER (24 TEETH)	1			
6	529389M1	DETENT, SHIFT	2			
7	532532M1	PINION, REVERSE CONSTANT MESH (22 T, 24 SPLINE)	1			
8	532529M1	RING, SPACER (1-47/64 X 1-7/8 X 1/8")	2			
9	532528M1	RING, SPACER (1-47/64 X 1-7/8 X 5/64")	4			
10	842897M1	ROLLER, NEEDLE (3/32 X 7/16" LONG)	240			
11	189901M2	WASHER (.059 - .062")	AR			
11	194224M1	WASHER (.069 - .072")	AR			
11	194225M1	WASHER (.079 - .082")	AR			
11	194226M1	WASHER (.089 - .092")	AR			
11	194227M1	WASHER (.099 - .102")	AR			
11	194228M1	WASHER (.109 - .112")	AR			
12	534109M92	PINION ASSEMBLY (17 SPUR TEETH AND 25 SPLINES)	1			
13	832909M1	BEARING, NEEDLE	1			
14	883935M4	SEAL, OIL (1-1/8 X 1-1/2 X 1/4")	1			
15	833646M1	BEARING, BALL	1			
17	762101M1	RING, EXT. SNAP (1-31/32" I.D. X 1/16" THK.)	1			
18	358890X1	RING, INT. SNAP (3-11/16" O.D. X 5/64" THK.)	1			
19	1860890M91	RETAINER ASSEMBLY, DRIVE SHAFT	1			
21	1860867M3	SEAL, OIL (1-5/8 X 1-15/16 X 15/64")	1			
22	886668M1	BEARING, NEEDLE	1			
23	886089M1	"O" RING (4" I.D. X 5/64")	1			
27	180409M1	PIN (3/8 X 1-1/8" DOWEL)	2			
28	899331M1	HOUSING, P.T.O. DRIVE SHAFT BEARING	1			
29	180432M1	GASKET, SEALING	1			
30	532531M1	PINION, DIRECT DRIVE (20 TEETH, 24 SPLINE)	1			
31	193296M92	SPACER ASSEMBLY	1			
32	505698M1	SHAFT, MAIN (18 TEETH)	1			
33	2757312M1	GEAR (26 AND 34 TEETH)	1			
34	189923M1	GEAR (39 TEETH, 18 SPLINE)	1			
35	831469M1	BEARING (1-37/64 X 3-9/64 X 45/64")	1			
36	195493M1	BEARING, BALL	1			
37	195363M1	RING, EXT. SNAP (1-53/64" I.D. X 3/32" THK.)	2			
38	1865528M1	GEAR (54 TEETH, 1-23/32" WIDE)	1			
43	897711M92	CARRIER ASSEMBLY, PLANETARY	1			
44	897019M1	SHAFT (53/64 X 1-19/32")	3			
45	897018M1	PINION (18 TEETH, 1.0527" BORE)	3			
46	897025M1	ROLLER (7/64 X 7/16")	162			
47	897020M1	WASHER (27/32 X 1-3/64 X 1/16")	9			
48	184750M2	WASHER (27/32 X 1-3/8 X 1/32")	6			
49	897367M1	WASHER (4-1/8 X 5 X 1/16")	2			
50	184012M4	PLATE, COVER (REAR)	1			
51	180408M2	PLATE, COVER (FRONT)	1			
52	184011M1	SHIM, PLANETARY (.017" THK.)	1			
53	184770M2	COUPLER (2-1/16" LONG)	1			
54	354271X1	BOLT (3/8 X 2-3/4" NC, HEX.)	4			
55	353434X1	WASHER (3/8" LOCK)	4			

651381
245 (PRIOR TO 9A349239) TRACTOR

Item	Part Number	Description	Qty	Tech Spec	Notes	Ref
56	189932M91	COUNTERSHAFT ASSEMBLY	1			
57	195453M1	BEARING, INNER (NEEDLE)	1			
58	189924M1	GEAR (42 TEETH,17 SPLINE)	1			
59	189929M1	GEAR (36 TEETH)	1			
60	189931M1	GEAR (20 TEETH)	1			
61	832519M1	BEARING, BALL	1			
62	195363M1	RING, EXT. SNAP (1-53/64" I.D. X 3/32" THK.)	1			
63	195507M1	BEARING, BALL	1			
64	190660M1	GEAR (40 TEETH)	1			
67	195499M1	RING, SNAP (1-31/32" I.D. X 3/16" THK.)	1			
68	883620M1	(A) CAP, BEARING HOUSING	1			
68	1870813M91	(B) CAP AND ADAPTOR ASSEMBLY	1			
69	1004633M1	"O" RING (3-1/4" I.D. X 1/8")	1			
70	353693X1	BOLT (3/8 X 1-1/4" NC, HEX.)	4			
[\$66	1663655M91	(C) TUBE ASSEMBLY, HYDRAULIC	1			
71	353771X1	WASHER (13/32 X 13/16 X 3/32" FLAT)	4			
72	534214M1	GEAR, REVERSE IDLER CLUSTER (14-17 TEETH)	1			
73	832911M1	ROLLER (5/32 X 1")	46			
74	191728M1	WASHER (1-1/16 X 1-5/16 X 7/64")	2			
75	369985X1	SPACER (1-1/16 X 1-5/16 X 57/64")	1			
76	189904M1	WASHER (1 X 1-5/8 X 3/32")	2			
77	534111M1	SHAFT, REVERSE IDLER	1			
78	832650M1	"O" RING (1-1/4" I.D. X 1/16" THK.)	1			
79	363794X1	PIN (3/16 X 3/8" ROLL)	1			
80	189902M1	SLEEVE (1 X 1-5/16 X 27/64")	1			
82	1868533M1	SHAFT, FRONT P.T.O. (21 SPLINES 16")	1			
83	534108M1	GEAR (53 TEETH)	1			
86	899377M2	BEARING, BALL	1			
87	881122M2	RING, RETAINING (1-1/8 X 1-9/16 X 5/64")	1			
88	358913X1	RING, INT. SNAP (1-31/64" O.D. X 3/64" THK.)	1			
89	208505M1	RING, EXT. SNAP (1-3/64" I.D. X 3/64" THK.)	1			
90	355988X1	RING, INT. SNAP (3/32" THK.)	1			
91	353690X1	BOLT (3/8 X 7/8" NC, HEX.)	3			
[\$85	354265X1	BOLT (3/8 X 1-7/8" NC, HEX.)	1			
[\$86		*****				
[\$87		(A) - USED WITHOUT AUXILIARY HYDRAULICS.				
[\$88		(B) - USED WITH AUXILIARY HYDRAULICS.				
[\$89		(C) - TO BE USED WITH CAP 1870813M91.				