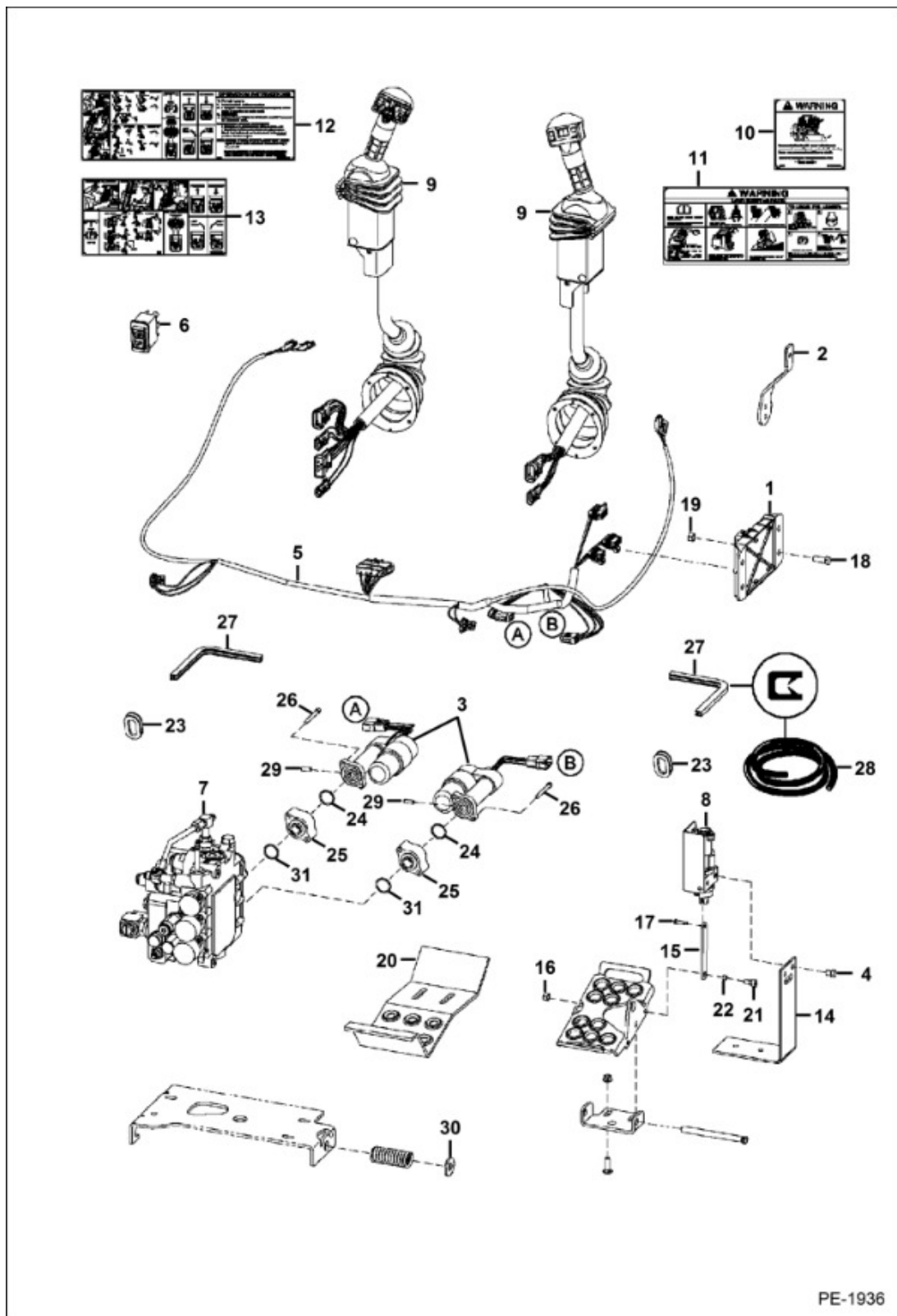


Title: Controls Electrical (ACS) (S/N 521911001, 522011001 & Above) (S/N 525411001-13999) (S/N 525511001-11999)

Model Number: T300

Serial Number: 521911001 & Above, 522011001 & Above, 525411001 & Above, 525511001 & Above



PE-1936

Title: Controls Electrical (ACS) (S/N 521911001, 522011001 & Above) (S/N 525411001-13999) (S/N 525511001-11999)

Model Number: T300

Serial Number: 521911001 & Above, 522011001 & Above, 525411001 & Above, 525511001 & Above

Ref.	Part Number	Description	S/N	Qty
1	6680410	CONTROLLER, ACS, plastic - W/ 3-connector plug - Was 6676337, A		1
2	6717393	LEVER, throttle		1
3		ACTUATOR, ACTUATOR, NLA - Use W/Ref. 24 (58K120 O-ring) & Ref. 25 (6725128 adapter) - Order 7101672 actuator & Ref. 25 (7101705 adapter) - Was 6678775, A		2
3		ACTUATOR, ACTUATOR, NLA - W/Ref. 24 (686220 O-ring) - Use W/ Ref. 25 (7101705 adapter) - Was 7103129, A		2
3	7101672	ACTUATOR, W/Ref. 24 (58K120 O-ring) - Use W/Ref. 25 (7101705 adapter)		2
4	17C608	BOLT		4
5	6733292	HARNESS, ACS, Was 6729023, A		1
6	6676537	SWITCH		1
7		VALVE, VALVE, ACS control		1
8		SENSOR, SENSOR, See Illustration, FOOT PEDAL - R.H.		1
8	6676029	SOLENOID, LOCK SPOOL		1
8		SENSOR, SENSOR, See Illustration, FOOT PEDAL - L.H.		1
8	6676029	SOLENOID, LOCK SPOOL		1
9	6684915	LEVER, ACS RH, See Illustration, - tilt - RH - Was 6680424, A		1
9	6684916	LEVER, ACS LH, See Illustration, - lift - LH - Was 6680423, A		1
10	6718706	DECAL, WARNING, raising cab		1
11	6728539	DECAL, WARNING, Use on S250 S300		1
12	6727926	DECAL, OPERATION, hand & foot controls		1
13	6728328	DECAL, operations AHC		1
13	6718704	DECAL, operations AHC - Was 6727941, A		1
14	7126869	BRACKET, Was 6726573, A		2
15	6726681	LINK,AFC POD		2

Title: Controls Electrical (ACS) (S/N 521911001, 522011001 & Above) (S/N 525411001-13999) (S/N 525511001-11999)

Model Number: T300

Serial Number: 521911001 & Above, 522011001 & Above, 525411001 & Above, 525511001 & Above

Ref.	Part Number	Description	S/N	Qty
16	95D5	NUT		2
17	6727496	PIN		2
18	17C616	BOLT 5		2
19	95D6	NUT HEXAGON		2
20	6712365	STEP, AHC		2
21	35C514	SCREW FLGD HEX CAP, Was 17C000514B, B		2
22	6729467	SPACER, COLLAR		2
23	6714726	PLUG		2
24	58K120	O-RING, Use W/Ref. 3 (NLA/ 6678775 actuator & 7101672 actuator)		2
24	6686220	O-RING, Use W/Ref. 3 (NLA/ 7103129 actuator)		2
25	6725128	ADAPTER, actuator - W/ O-ring groove - Use W/Ref. 3 (NLA/ 6678775 actuator)		2
25	7101705	ADAPTER, ACTUATOR, W/O O-ring groove - Use W/Ref. 3 (NLA/ 7103129 actuator & 7101672 actuator)		2
26	69G436	BOLT		4
27		MOULDING, MOULDING, NLA - 10.5" (267mm) long - Order Ref. 28		1
28	6654139	MOULDING BULK/FT, sold per foot		x
29	7108236	PIN, Was 6718506, A		2
30	25E24	WASHER		1
31	1K127	O-RING 10		2