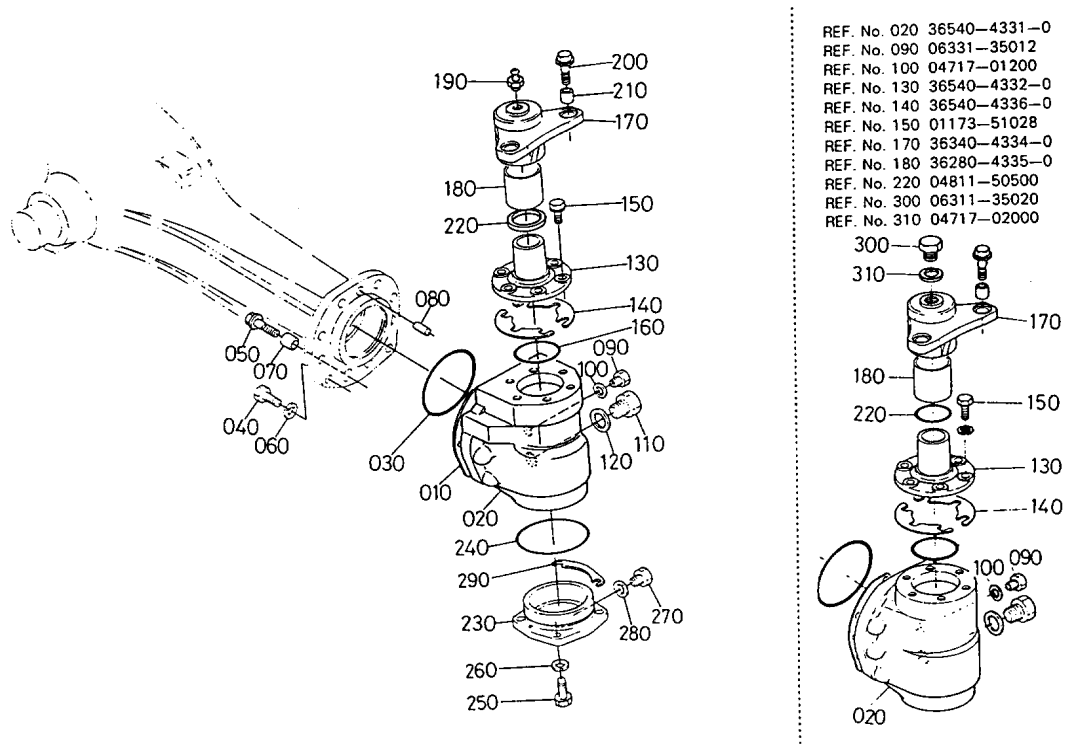


M7950DT -> FRONT DRIVE AXLE -> T08700 BEVEL GEAR CASE ## M7950DT

Update Date: 09/08/2014, Printing Date: 07/12/2019



M7950DT -> FRONT DRIVE AXLE -> T08700 BEVEL GEAR CASE ## M7950DT

Update Date: 09/08/2014, Printing Date: 07/12/2019

Interchangeable =, Not Interchangeable NI, New for Old >>, Old for New <<

No	Part Number	Part Name	Qty	RoundUp	IC	S/N	Remarks	Kg
010	36540-43270	SHIM	8				0.3mm	0.033
010	36540-43280	SHIM	12				0.1mm	0.0044
020	36540-43313	CASE BEVEL GEAR	2			<=51277		22.0
020	35870-43310	CASE BEVEL GEAR	2		NI	>=51278		20.68
030	04811-51300	O RING	2					0.0088
040	01176-51240	HEX.BOLT	18					0.1012
050	36340-43180	BOLT,UBS	2					0.11
060	04512-50120	WASHER,SPRING LOCK	18					0.0066
070	36340-43170	PIPE,KNOCK	2					0.055
080	05012-01325	PIN,STRAIGHT	2					0.0616
090	06331-35012	PLUG	2			<=51277		0.0528
090	06331-35020	PLUG	2		NI	>=51278		0.1496

M7950DT -> FRONT DRIVE AXLE -> T08700 BEVEL GEAR CASE ## M7950DT

Update Date: 09/08/2014, Printing Date: 07/12/2019

Interchangeable =, Not Interchangeable NI, New for Old >>, Old for New <<

No	Part Number	Part Name	Qty	RoundUp	IC	S/N	Remarks	Kg
100	04717-02000	WASHER,SEAL	2		NI	>=51278		0.0088
100	04717-01200	WASHER,SEAL	2			<=51277		0.0044
110	36340-43563	PLUG	2					0.209
120	04717-02400	WASHER WITH RUBBER	2					0.011
130	36540-43320	RETAINER BEARING	2			<=51277		3.3
130	36920-43320	RETAINER BEARING	2		NI	>=51278		4.73
140	36920-43360	SHIM	8		NI	>=51278	0.2mm	0.0154
140	36540-43360	SHIM0.2	8			<=51277	0.2mm	0.0022
150	01133-51235	BOLT,SEMS	12		NI	>=51278		0.0946
160	04811-50750	O RING	2					0.0044
170	35830-43340	SUPPORT F-WHEEL CASE	2		NI	>=51278		6.204
170	36340-43340	SUPPORT FRONT WHEEL	2			<=51277		5.06
180	36340-43350	BUSH	2			<=51277		0.0
180	36840-43350	BUSH	2		NI	>=51278		0.418
190	06613-10010	NIPPLE,GREASE	2			>=51278		0.0132
200	36340-43180	BOLT,UBS	4					0.11
210	36280-43170	PIPE,KNOCK	4					0.0484
220	09230-60756	SEAL,OIL	2		NI	>=51278		0.033
220	04811-50500	O-RING	2			<=51277		0.0022
230	36280-43540	CASE BEARING	2					3.432
240	04811-51000	O RING	2					0.0066
250	01173-51028	HEX.BOLT	8					0.0484
260	04512-50100	WASHER,SPRING LOCK	8					0.0066
270	06331-35020	PLUG	2			>=51278		0.1496
280	04717-02000	WASHER,SEAL	2			>=51278		0.0088
290	36280-43550	SHIM	8				0.1mm	0.0022
300	06311-35020	PLUG	2			<=51277		0.0814
310	04717-02000	WASHER,SEAL	2			<=51277		0.0088