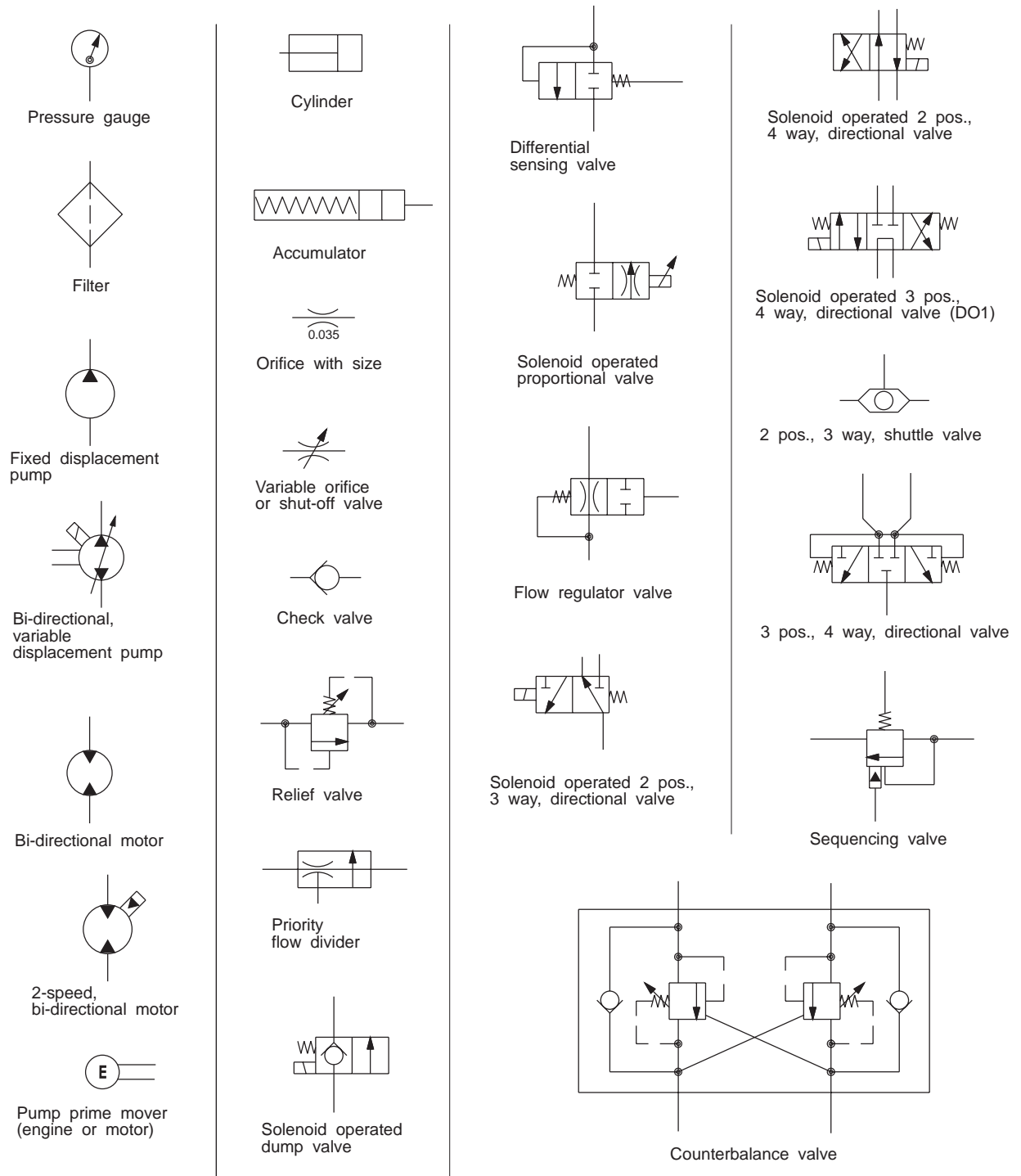
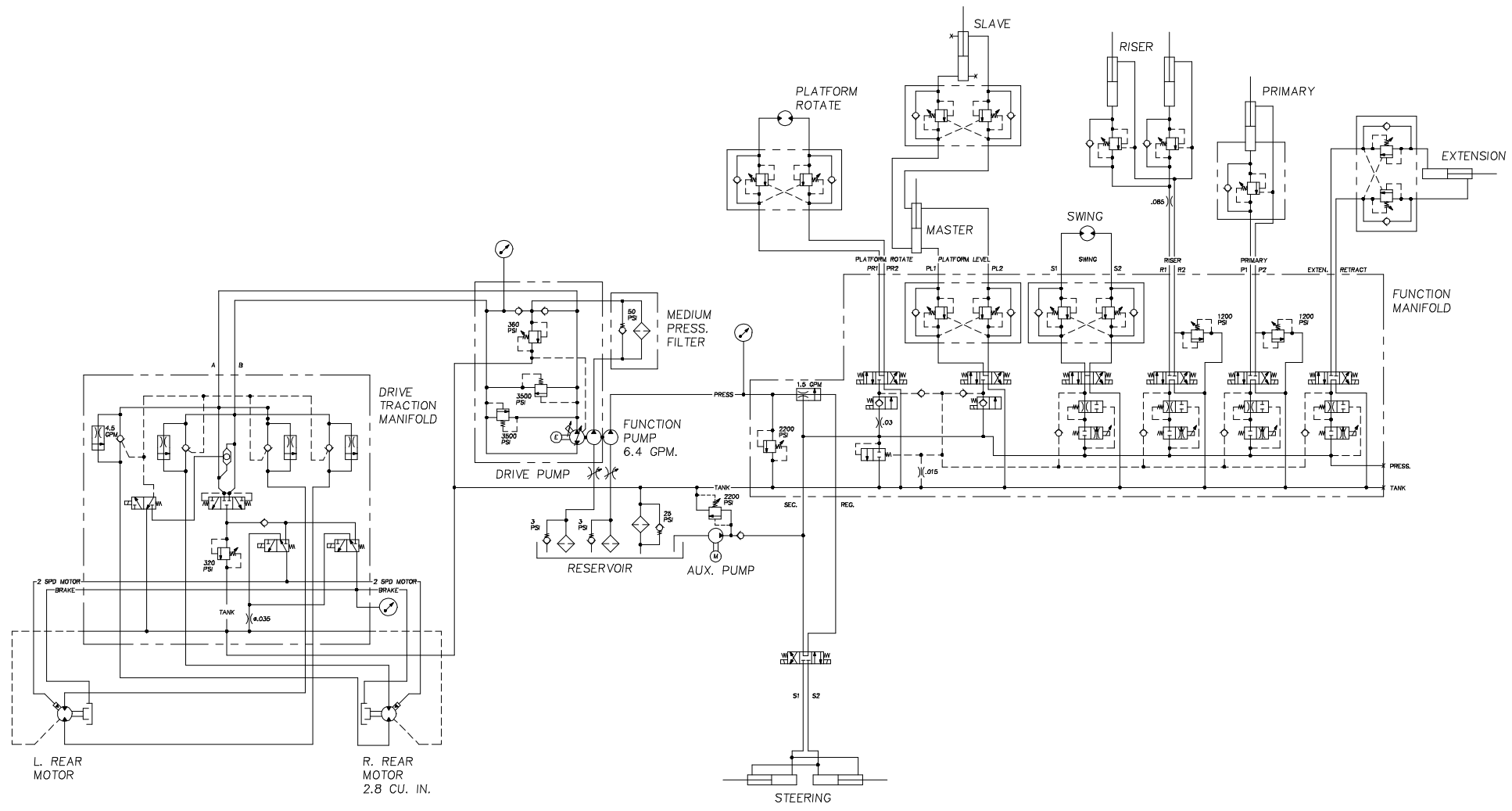


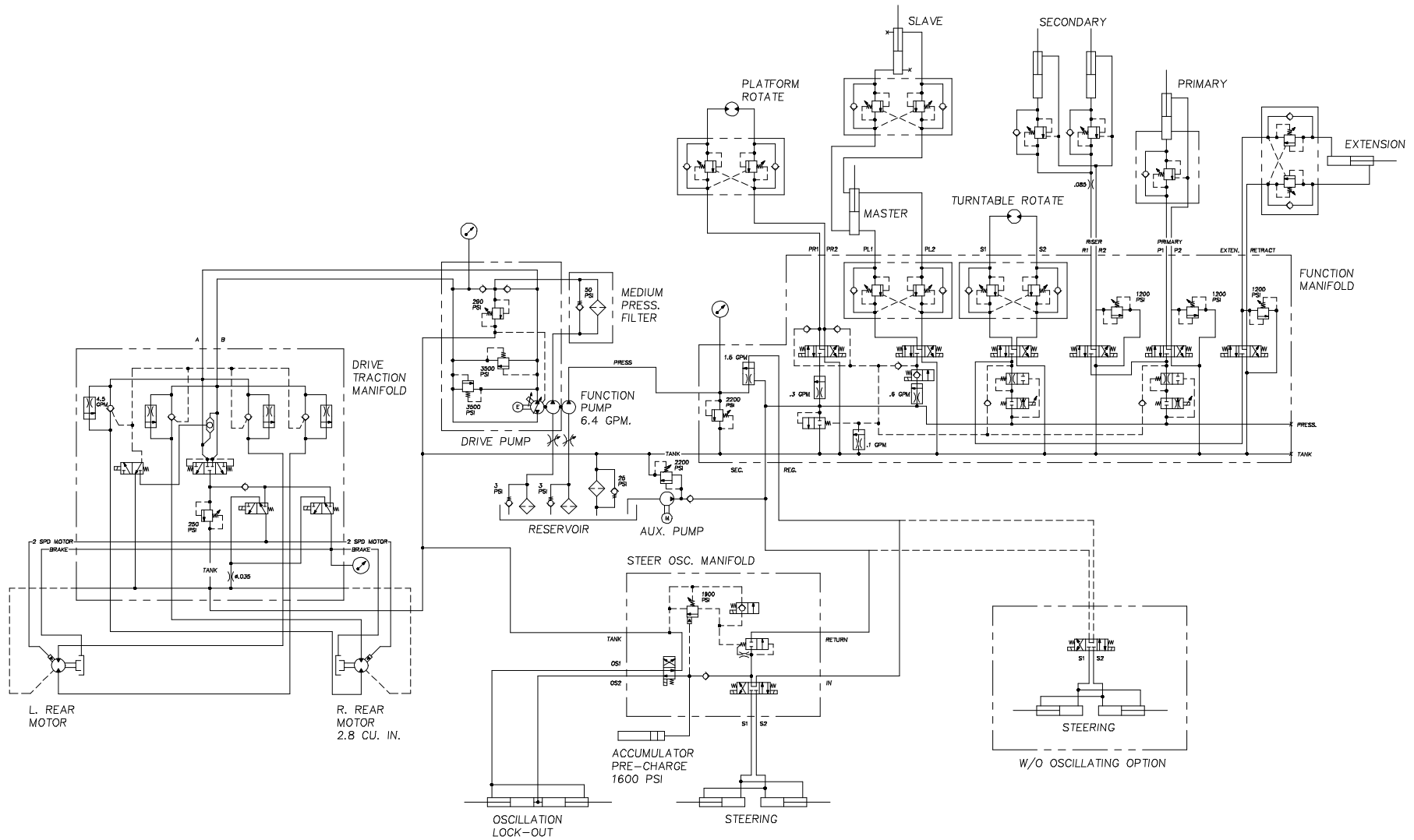
# Hydraulic Symbol Legend



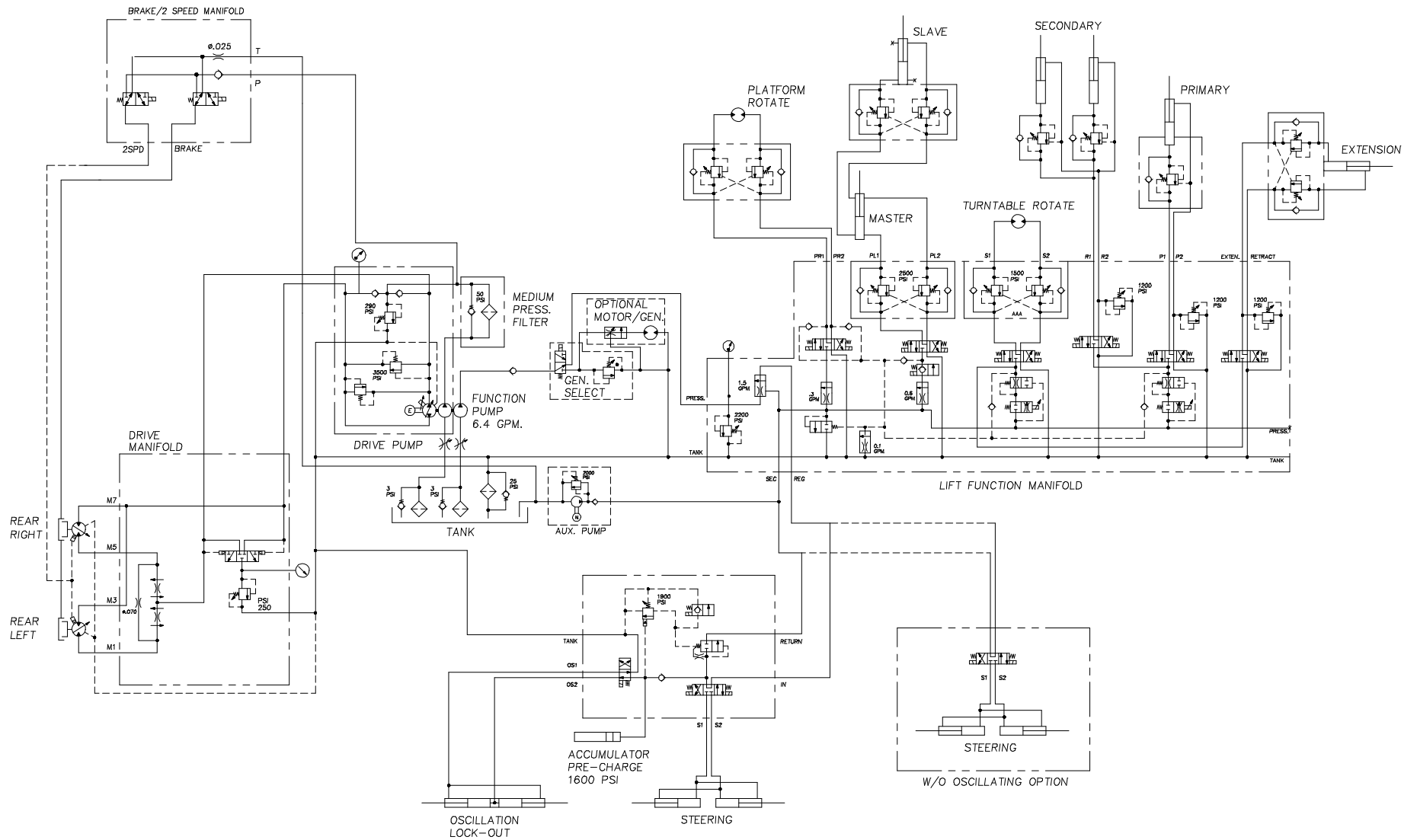
Z45/22 HP 2WD  
 HYDRAULIC SCHEMATIC  
 SERIAL #Z45-000170 TO Z45-000987



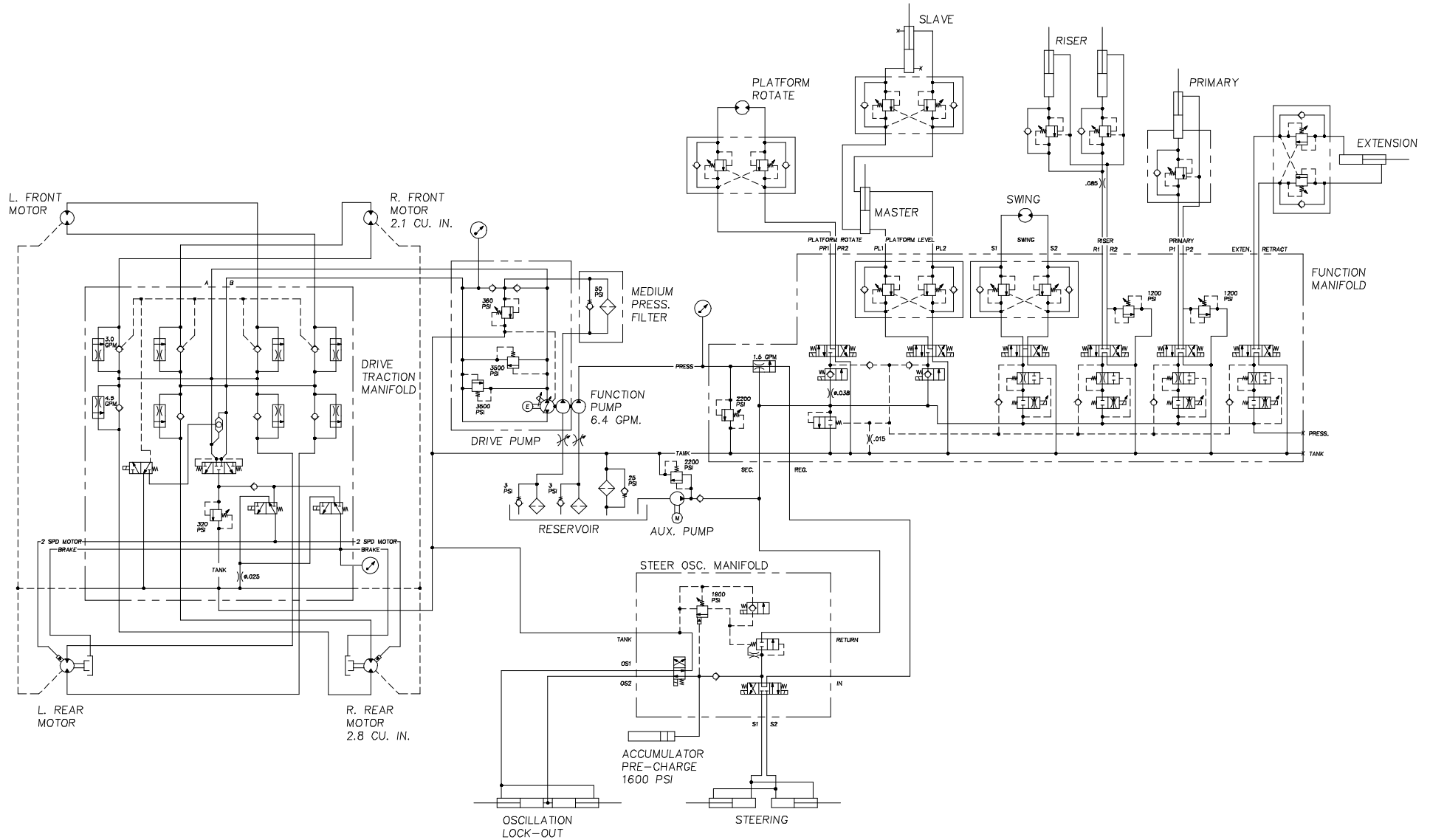
Z45/22 HP 2WD  
 HYDRAULIC SCHEMATIC  
 SERIAL #Z45-000989 TO Z45-002536



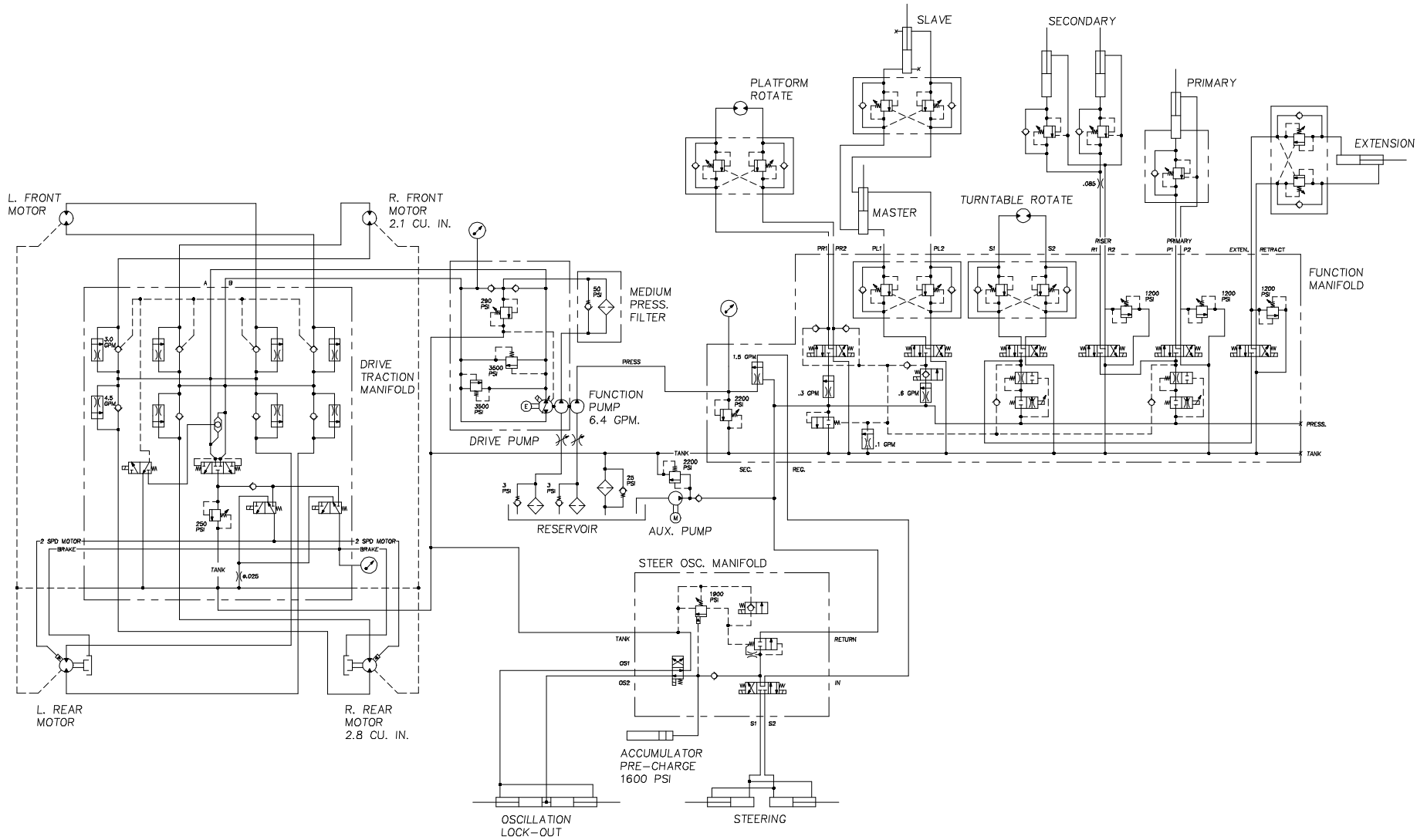
Z45/22 HP 2WD  
 HYDRAULIC SCHEMATIC  
 SERIAL #Z45-002541 & ABOVE



Z45/22 HP 4WD  
 HYDRAULIC SCHEMATIC  
 SERIAL #Z45-000001 TO Z45-000981



Z45/22 HP 4WD  
 HYDRAULIC SCHEMATIC  
 SERIAL #Z45-000990 TO Z45-002535



Z45/22 HP GP & DIESEL 4WD  
 HYDRAULIC SCHEMATIC  
 SERIAL #Z45-002539 AND ABOVE

