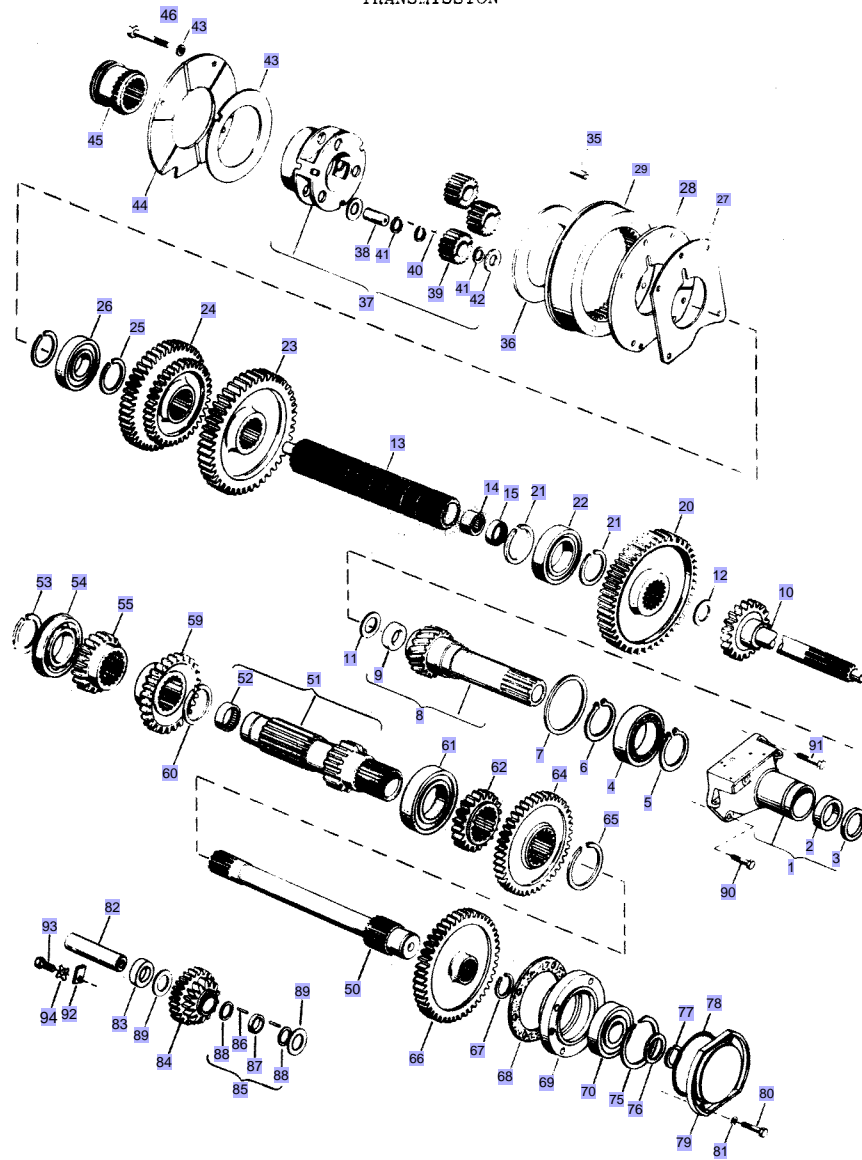


651381
245 (PRIOR TO 9A349239) TRACTOR

TRANSMISSION

149



1st Print

651 381 M95 (ISSUE 1) 149

651381
245 (PRIOR TO 9A349239) TRACTOR

149
TRANSMISSION (8-SPEED)

Item	Part Number	Description	Qty	Tech Spec	Notes	Ref
1	1860889M91	(A) RETAINER ASSEMBLY, MAIN DRIVE SHAFT (INCL. ITEMS 2 & 3)				
1	1860890M91	(B) RETAINER ASSEMBLY, DRIVE SHAFT	1			
2	886668M1	BEARING, NEEDLE	1			
3	1860867M3	SEAL, OIL (1-5/8 X 1-15/16 X 15/64")	1			
4	833646M1	BEARING, BALL	1			
5	762101M1	RING, EXT. SNAP (1-31/32" I.D. X 1/16" THK.)	1			
6	358890X1	RING, INT. SNAP (3-11/16" O.D. X 5/64" THK.)	1			
7	886089M1	"O" RING (4" I.D. X 5/64")	1			
8	1868530M91	PINION ASSEMBLY (17 TEETH, 25 SPLINES)	1			
9	1860011M1	SEAL, OIL	1			
10	964926M3	(A) SHAFT, INPUT (18 TEETH)	1			
10	1862423M3	(B, C) SHAFT, INPUT (26 TEETH)	1			
11	964929M1	WASHER (1-37/64 X 2 X 5/32")	1			
12	964944M1	WASHER (1 X 2-1/16 X 3/16" SPECIAL)	1			
13	1682449M1	SHAFT, MAIN (NORMAL DUTY)(13-7/16" LONG)	1			
14	2700273M1	BEARING, ROLLER (1 X 1-5/16 X 1")	1			
15	2700274M1	SPACER, BEARING (1-1/64 X 1-19/64 X 9/32")	2			
20	1660095M1	GEAR (32 TEETH, 18 SPLINES)	1			
21	195363M1	RING, EXT. SNAP (1-53/64" I.D. X 3/32" THK.)	2			
22	338552X1	BEARING, BALL (31/32 X 2-9/16 X 19/32")	1			
23	1682688M1	GEAR (1ST)(44 TEETH, 18 SPLINES)	1			
24	880957M1	GEAR (2ND AND HIGH)(36 AND 46 TEETH, 18 SPLINES)	1			
25	195363M1	RING, EXT. SNAP (1-53/64" I.D. X 3/32" THK.)	2			
26	195493M1	BEARING, BALL	1			
27	184011M1	SHIM, PLANETARY (.017" THK.)	1			
28	180408M2	PLATE, COVER (FRONT)	1			
29	1865528M1	GEAR (54 TEETH, 1-23/32" WIDE)	1			
35	180409M1	PIN (3/8 X 1-1/8" DOWEL)	2			
36	897367M1	WASHER (4-1/8 X 5 X 1/16")	1			
37	897711M92	CARRIER ASSEMBLY, PLANETARY	1			
38	897019M1	SHAFT (53/64 X 1-19/32")	3			
39	897018M1	PINION (18 TEETH, 1.0527" BORE)	3			
40	897025M1	ROLLER (7/64 X 7/16")	162			
41	897020M1	WASHER (27/32 X 1-3/64 X 1/16")	9			
42	184750M2	WASHER (27/32 X 1-3/8 X 1/32")	6			
43	897367M1	WASHER (4-1/8 X 5 X 1/16")	1			
44	184012M4	PLATE, COVER (REAR)	1			
45	184770M2	COUPLER (2-1/16" LONG)	1			
46	354271X1	BOLT (3/8 X 2-3/4" NC, HEX.)	4			
47	353434X1	WASHER (3/8" LOCK)	4			
50	1868533M1	SHAFT, FRONT P.T.O. (21 SPLINES 16")	1			
51	906743M92	COUNTERSHAFT ASSEMBLY	1			
52	195453M1	BEARING, INNER (NEEDLE)	1			
53	195363M1	RING, EXT. SNAP (1-53/64" I.D. X 3/32" THK.)	1			
54	195493M1	BEARING, BALL	1			
55	180419M1	GEAR (23 TEETH)	1			
59	180415M1	GEAR (33 TEETH)	1			
60	195500M1	RING, SNAP (2-1/6" I.D. X 7/64" THK.)	1			
61	195507M1	BEARING, BALL	1			
62	1868010M1	GEAR, COUNTERSHAFT (4TH)(36 TEETH, 20 SPLINE)	1			

651381
245 (PRIOR TO 9A349239) TRACTOR

Item	Part Number	Description	Qty	Tech Spec	Notes	Ref
64	906468M1	GEAR (50 TEETH)	1			
64	1862422M1	(C) GEAR, CONSTANT MESH (42 TEETH)	1			
65	195499M1	RING, SNAP (1-31/32" I.D. X 3/16" THK.)	1			
66	1868532M1	GEAR (53 TEETH, 21 SPLINES)(1 SPD. P.T.O.)	1			
67	358913X1	RING, INT. SNAP (1-31/64" O.D. X 3/64" THK.)	1			
68	180432M1	GASKET, SEALING	1			
69	899331M1	HOUSING, P.T.O. DRIVE SHAFT BEARING	1			
70	899377M2	BEARING, BALL	1			
75	355988X1	RING, INT. SNAP (3/32" THK.)	1			
76	881122M2	RING, RETAINING (1-1/8 X 1-9/16 X 5/64")	1			
77	208505M1	RING, EXT. SNAP (1-3/64" I.D. X 3/64" THK.)	1			
78	1004633M1	"O" RING (3-1/4" I.D. X 1/8")	1			
79	883620M1	CAP, BEARING HOUSING	1			
80	353693X1	BOLT (3/8 X 1-1/4" NC, HEX.)	4			
81	353771X1	WASHER (13/32 X 13/16 X 3/32" FLAT)	4			
82	180445M1	SHAFT, REVERSE CLUSTER	1			
83	189449M1	SPACER (1 X 5/8 X 5/16")	1			
84	183040M1	GEAR, REVERSE CLUSTER (21 AND 13 TEETH)	1			
85	830735M91	KIT, BEARING	1			
86	183039M1	ROLLER (1/8 X 3/4")(18 PER PATH)	56			
87	183038M1	SPACER (1-1/64 X 1-13/64 X 7/32")	1			
88	183037M1	RETAINER (1-1/64 X 1-13/16 X 1/16")	2			
89	180458M1	WASHER (1 X 1-5/8 X 1/16")	2			
90	353692X1	BOLT (3/8 X 1-1/8" NC, HEX.)	AR			
91	354265X1	BOLT (3/8 X 1-7/8" NC, HEX.)	AR			
92	184789M1	STOP, REVERSE SHAFT	1			
93	353690X1	BOLT (3/8 X 7/8" NC, HEX.)	1			
94	828020M1	WASHER (3/8" TAB SPECIAL)	1			
§79		*****				
§80		(A) - USED WITH AUXILIARY HYDRAULICS.				
§81		(B) - USED WITHOUT AUXILIARY HYDRAULICS.				
§82		(C) - USED ORCHARD TRACTORS.				