

PRODEMAND

YMMS: 2007 Honda Odyssey EX-L
Engine: 3.5L Eng
VIN: 5FNRL38757B413870

Feb 22, 2022
License:
Odometer:

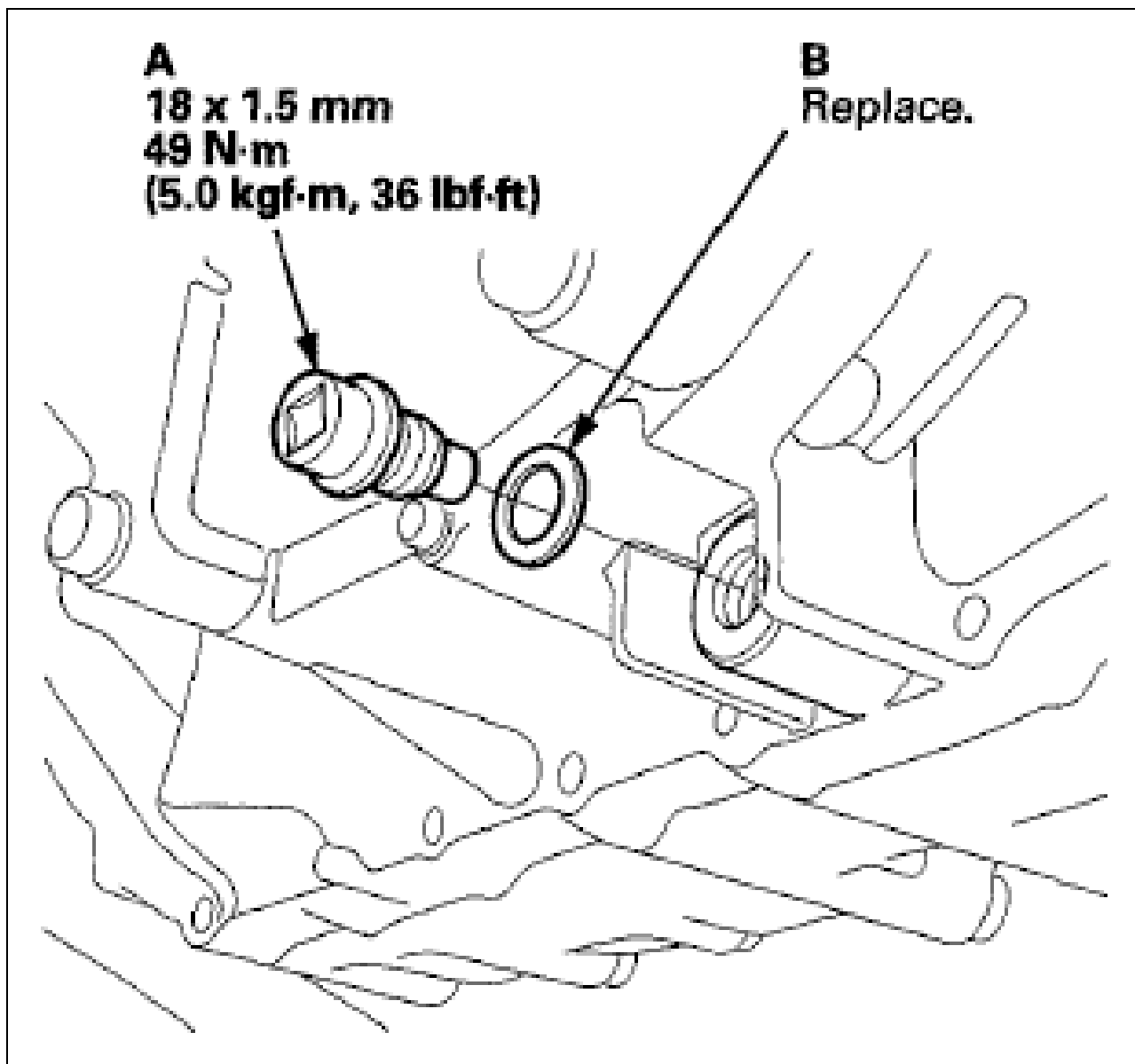
ATF REPLACEMENT

NOTE: *Keep all foreign particles out of the transmission.*

1. Warm up the engine to normal operating temperature (the radiator fan comes on).
2. Park the vehicle on level ground, and turn the engine off.
3. Remove the ATF filler bolt and drain plug (A), and drain the automatic transmission fluid (ATF).

NOTE: *If ATF cooler cleaning is necessary, refer to ATF COOLER CLEANING .*

Fig 1: ATF Filler Bolt And Drain Plug With Torque Specifications



Courtesy of AMERICAN HONDA MOTOR CO., INC.

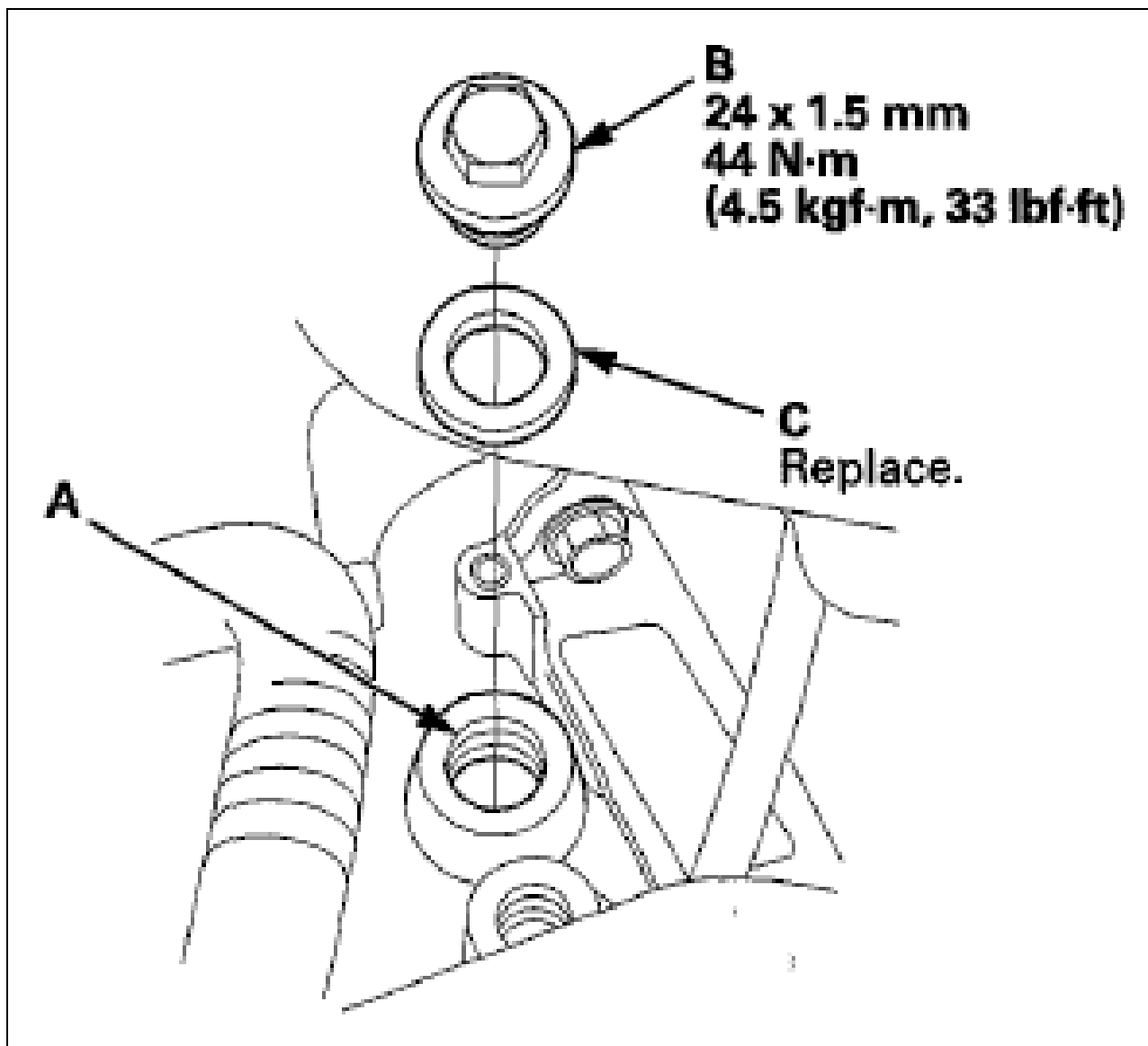
4. Reinstall the drain plug with a new sealing washer (B). Tighten the drain plug to the specified torque.
5. Refill the transmission with the recommended fluid through the filler hole (A). Always use Honda ATF-Z1 Automatic Transmission Fluid (ATF). Using a non-Honda ATF can affect shift quality.

Automatic Transmission Fluid Capacity:

3.1 L (3.3 US qt) at change

7.6 L (8.0 US qt) at overhaul

Fig 2: Sealing Washer And Filler Hole With Torque Specifications



Courtesy of AMERICAN HONDA MOTOR CO., INC.

6. Install the ATF filler bolt (B) and a new sealing washer (C).

7. Check that the ATF level is between the upper mark and lower mark on the dipstick (see ATF LEVEL CHECK).