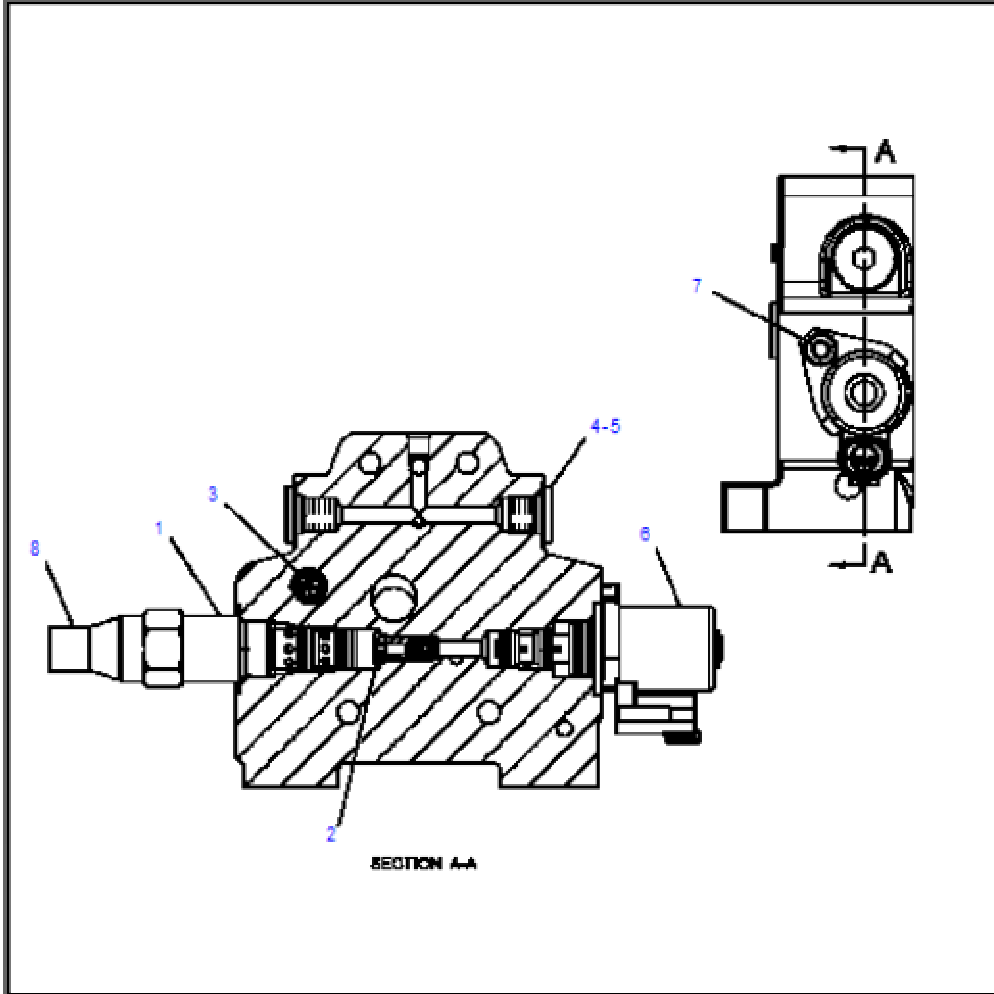


Product: BACKHOE LOADER
 Model: 420E BACKHOE LOADER HLS04628
 Configuration: 420E Backhoe Loader Single Tilt Center Pivot HLS00001-UP
 (MACHINE) POWERED BY 3054C Engine



GRAPHIC #1

420E Backhoe Loader Single Tilt Center Pivot, Powered By 3054C Engine
 Media Number - SEBP3703-72 | Publication Date - 01/04/2015 | Date
 Updated - 29/04/2015

341-4726 MANIFOLD & SOLENOID GP-CONTROL -INLET
 S/N HLS1-UP
 PART OF 266-2556 VALVE GP-BANK 6, 266-2557 VALVE GP-BANK 7, 266-2558
 VALVE GP-BANK 8
 AN ATTACHMENT

ENTIRE GROUP

Ref.	Qty.	NPR Note	Part No.	Part Name
Grp	<input type="text"/>	<u>NPR</u>	341-4726	MANIFOLD & SOLENOID GP-CONTROL -INLET

INDIVIDUAL PARTS

Ref.	Qty.	NPR Note	Part No.	Req. Qty.	Part Name
1	<input type="text"/>	<u>NPR</u>	257-0464	1	VALVE GP-PRESSURE REDUCING
		<u>NPR</u>	236-5753	1	KIT-SEAL



(INCLUDES SEAL-O-RINGS & BACKUP RINGS)

		<u>NPR</u>	257-0465	1	CAP-PROTECTION
2		<u>NPR</u>	341-4727	1	KIT-SHUTTLE VALVE (INLET)
3		<u>NPR</u>	227-1189	1	SCREEN (PILOT)
4		<u>NPR</u>	9S-8004	2	PLUG
5		<u>NPR</u>	3J-1907	2	SEAL-O-RING
6		<u>NPR J</u>	200-6210	1	VALVE GP-SOLENOID (INLET)
		<u>NPR</u>	212-0061	1	FLANGE
7		<u>NPR M</u>	6V-8202	1	BOLT-SOCKET HEAD (M8X1.25X16-MM)
8		<u>NPR</u>	257-0465	1	CAP-PROTECTION

AVAILABLE REPAIR KIT(S):

		<u>NPR J</u>	200-2371	1	KIT-SEAL (SOLENOID VALVE) (INCLUDES SEAL-O-RINGS)
--	--	--------------	----------	---	--