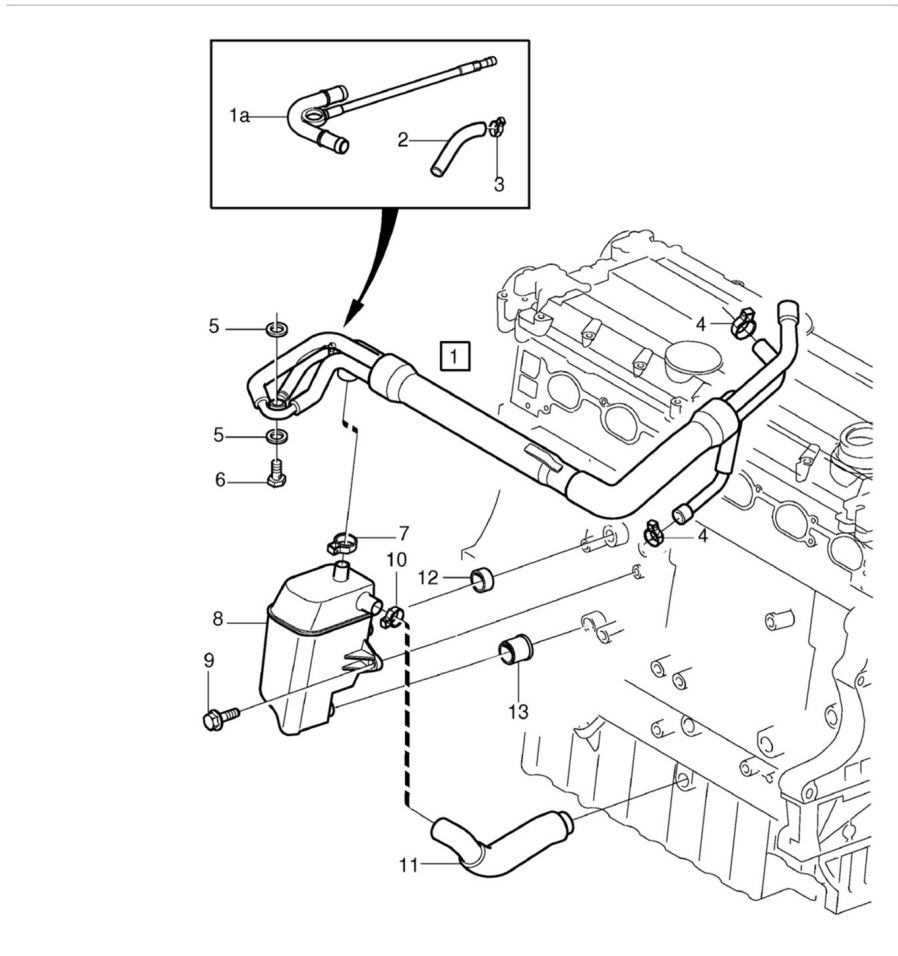


## REMOVAL AND REPLACEMENT

### Oil Trap, Replacing

#### Remove the intake manifold

Remove the intake manifold according to operation Replacing intake manifold, refer to Engine, Intake Manifold.



1. Pipe
- 1a. Nipple
2. Pipe
3. Hose clamp
4. Hose clamp
5. Gasket
6. Hollow screw (Regulator Valve)
7. Hose clamp
8. Oil trap
9. Flange Screw

10.Hose Clamp

11.Hose

12.Sealing ring

13.Hose

### **Remove**

- the oil trap hose clamps.
- the oil trap hoses.
- the two screws for the oil trap.
- the oil trap.

### **Install**

- the two oil trap hoses to engine block connecting sleeve.
- the hose clamps
- the two screws for the oil trap. Tighten to **20 Nm (14.8 ft lb)**
- Re-install the intake manifold.