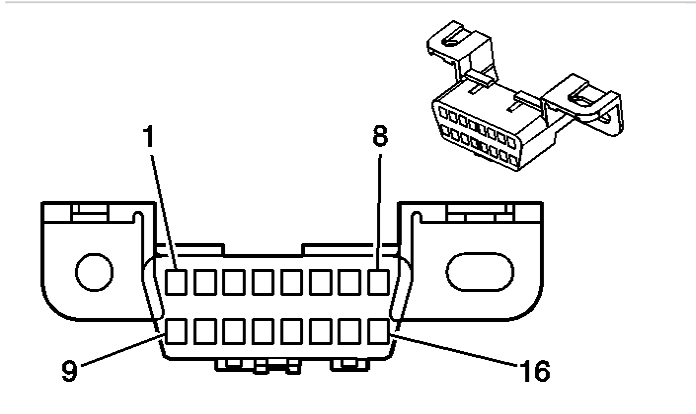


## DATA LINK CONNECTOR (DLC)

### Component Connector End Views

#### Data Link Connector (DLC)



### Connector Part Information

- Harness Type: Instrument Panel
- OEM Connector: 12110250
- Service Connector: 12110250
- Description: 16-Way F Metri-Pack 150 Series (BK)

### Terminal Part Information

- Terminated Lead: 13575725
- Release Tool: J-38125-12A
- Diagnostic Test Probe: J-35616-14 (GN)
- Terminal/Tray: 12129484/19
- Core/Insulation Crimp: Pins: 1, 4-6, 14 - E/C
- Core/Insulation Crimp: Pin 16 - E/A

**Data Link Connector (DLC)**

<b>Pin</b>	<b>Wire</b>	<b>Circuit</b>	<b>Function</b>
1	0.35 D-GN	5060	Low Speed GMLAN Serial Data
2-3	-	-	Not Used
4	0.5 BK/WH	351	Ground
5	0.5 BK/WH	351	Ground
6	0.5 TN/BK	2500	High Speed GMLAN Serial Data Bus (+)
7-13	-	-	Not Used
14	0.5 TN	2501	High Speed GMLAN Serial Data Bus (-)
15	-	-	Not Used
16	0.8 RD/WH	640	Battery Positive Voltage