

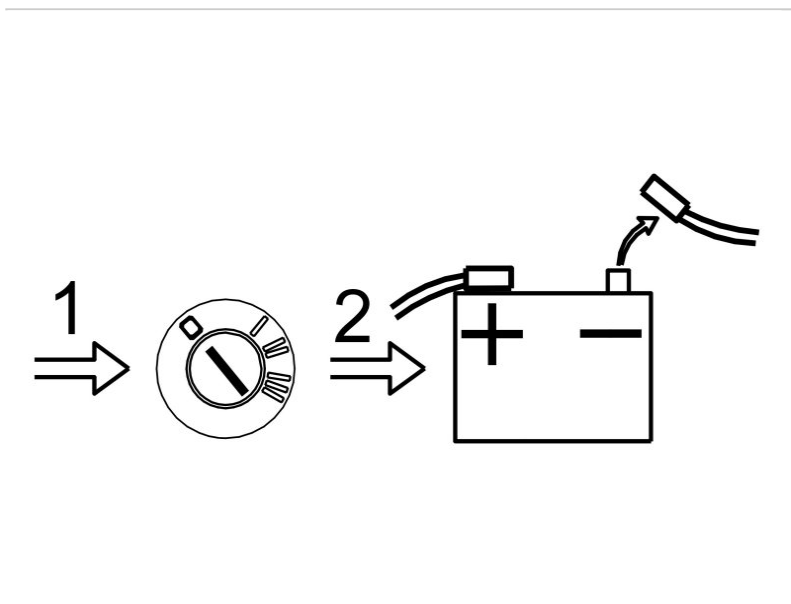
GENERATOR (GEN), REPLACEMENT

Generator (GEN), replacing

Note! The illustrations in this service information are used for different model years and/or models. Some variation may occur. However, the essential information in the illustrations is always correct.

Preparatory work

Removing components



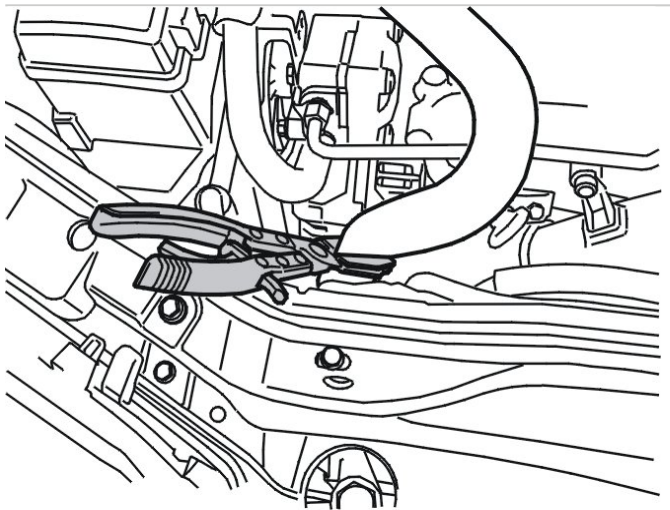
Ignition off.

Remove:

- the battery negative lead. See: Battery, disconnecting See: Battery > Procedures > Battery Disconnecting
- the auxiliaries belt. See: Replacing the accessory drive belt / belt tensioner See: Drive Belt Tensioner > Removal and Replacement > Auxiliaries Belt/Belt Tensioner, Replacing
- the power steering pump. See: Power steering pump, replacing See: Power Steering Pump > Removal and Replacement > Power Steering Pump, Replacing
- the turbo hose from the air conditioning aggregate. Push the hose to one side.

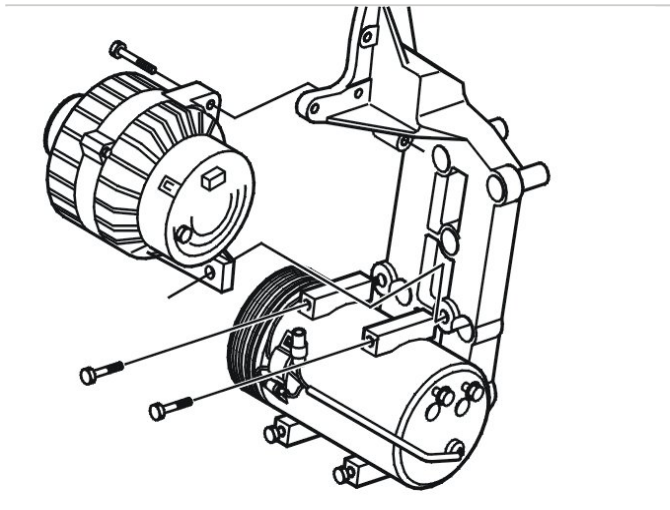
Removal

Disconnecting the radiator hose



Disconnect the radiator hose from the radiator and push to one side.

Removing the generator (GEN)



Slacken off the lower screws for the compressor (so that there is some clearance).

Remove:

- the nut for the battery positive lead
- the connector
- the 3 screws
- the generator (GEN).

Lift out the generator.

Installation

Note! For tightening torques, see Specifications See: Starting and Charging > Mechanical > Tightening Torque

Installing generator (GEN)

Lift the generator into place.

Install:

- the 3 x M8 screws
- the connector
- the battery positive lead. Tighten. See: Tightening torque See: Starting and Charging > Mechanical > Tightening Torque.

Note! If the vehicle is equipped with air conditioning (A/C), tighten the lower 2 x M8 screws for the compressor.

Finishing**Installing components****Install:**

- the radiator hose
 - the turbo hose
 - the power steering pump. See: Power steering pump, replacing See: Power Steering Pump > Removal and Replacement > Power Steering Pump, Replacing
 - the auxiliaries belt. See: Replacing the accessory drive belt / belt tensioner See: Drive Belt Tensioner > Removal and Replacement > Auxiliaries Belt/Belt Tensioner, Replacing
 - the battery negative lead. See: Battery, disconnecting See: Battery > Procedures > Battery Disconnecting
- Check the fluids level. Top up if required.
Test the function.