



YMMS: 2009 Kenworth W900
Engine: Cummins ISX CM871 6 CYL
VIN: 1XKWD49X59J258256

Sep 9, 2020

License:
Odometer:

HEADLIGHTS

Fig 1: Fog Lamps Circuit, W/ Upgraded Power Distribution Box

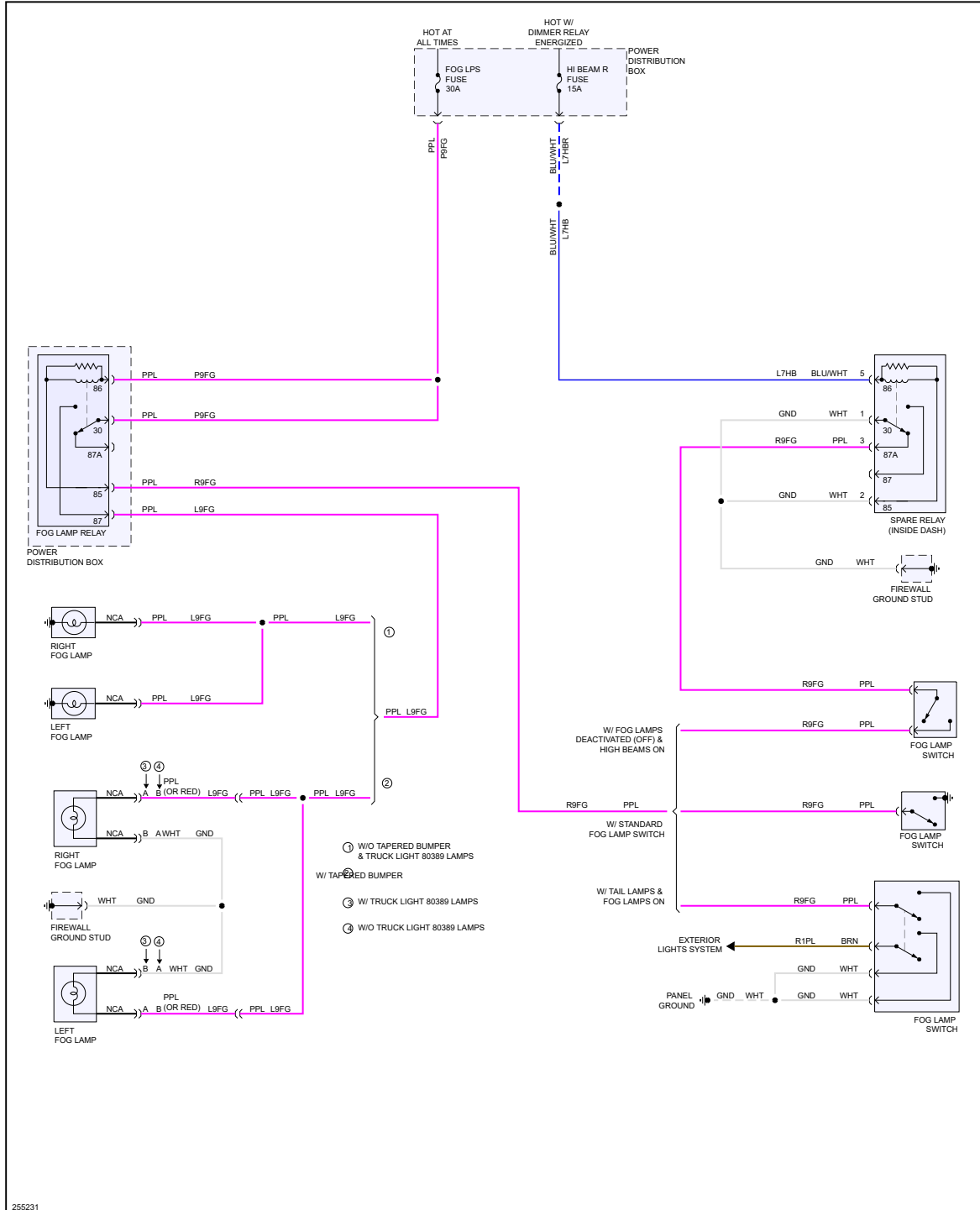


Fig 2: Fog Lamps Circuit, W/O Upgraded Power Distribution Box

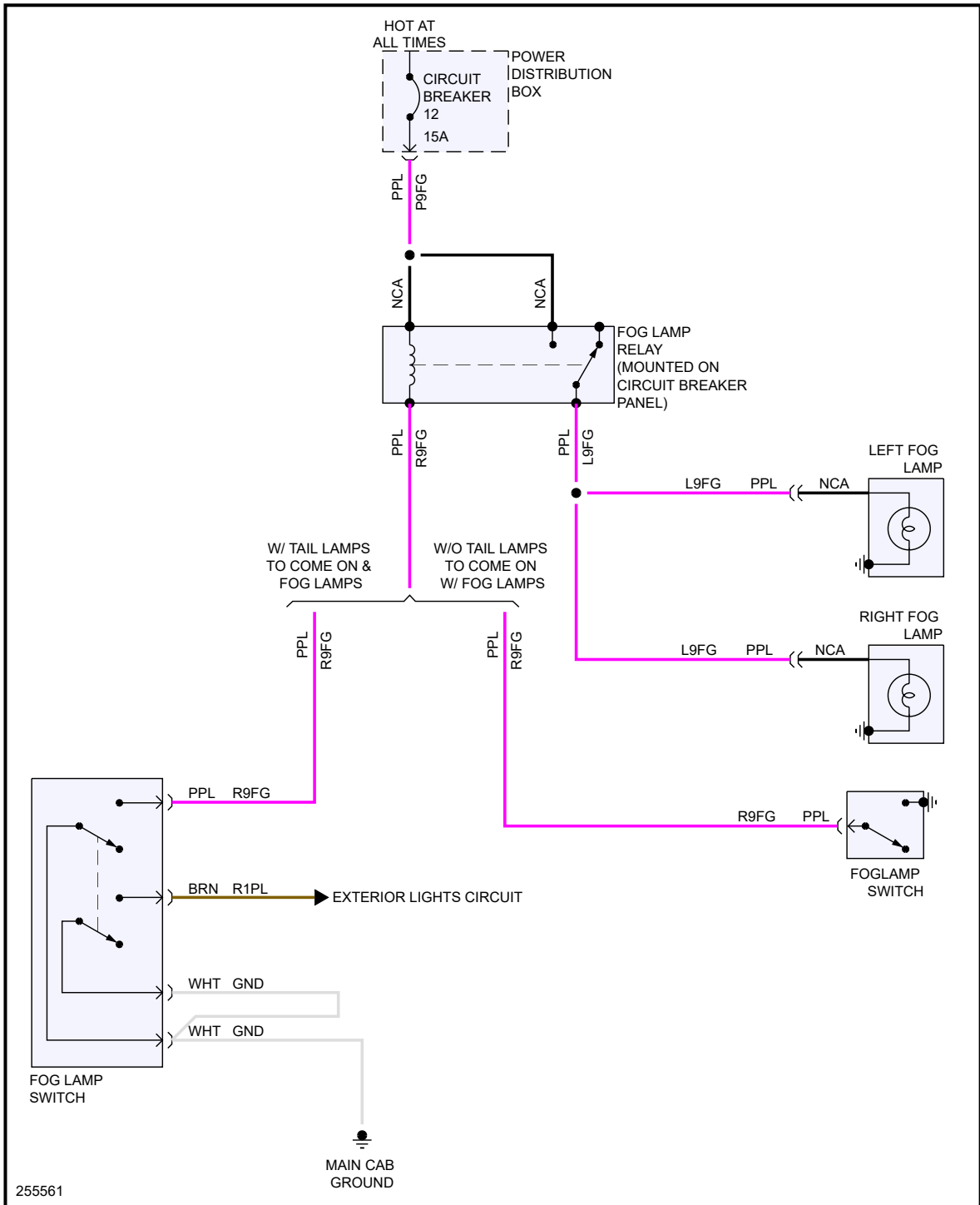


Fig 3: Fog/Road Lamps Circuit

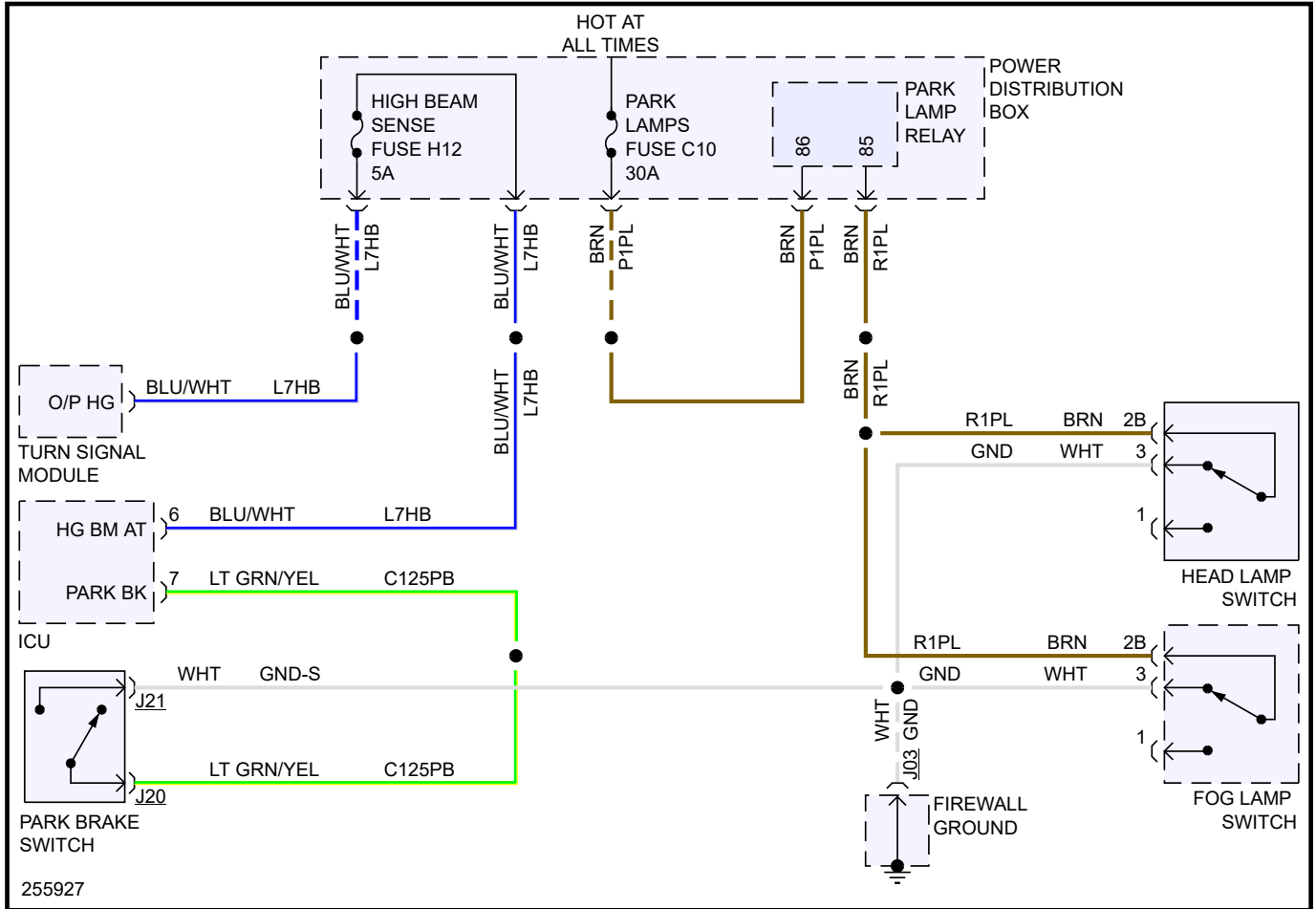
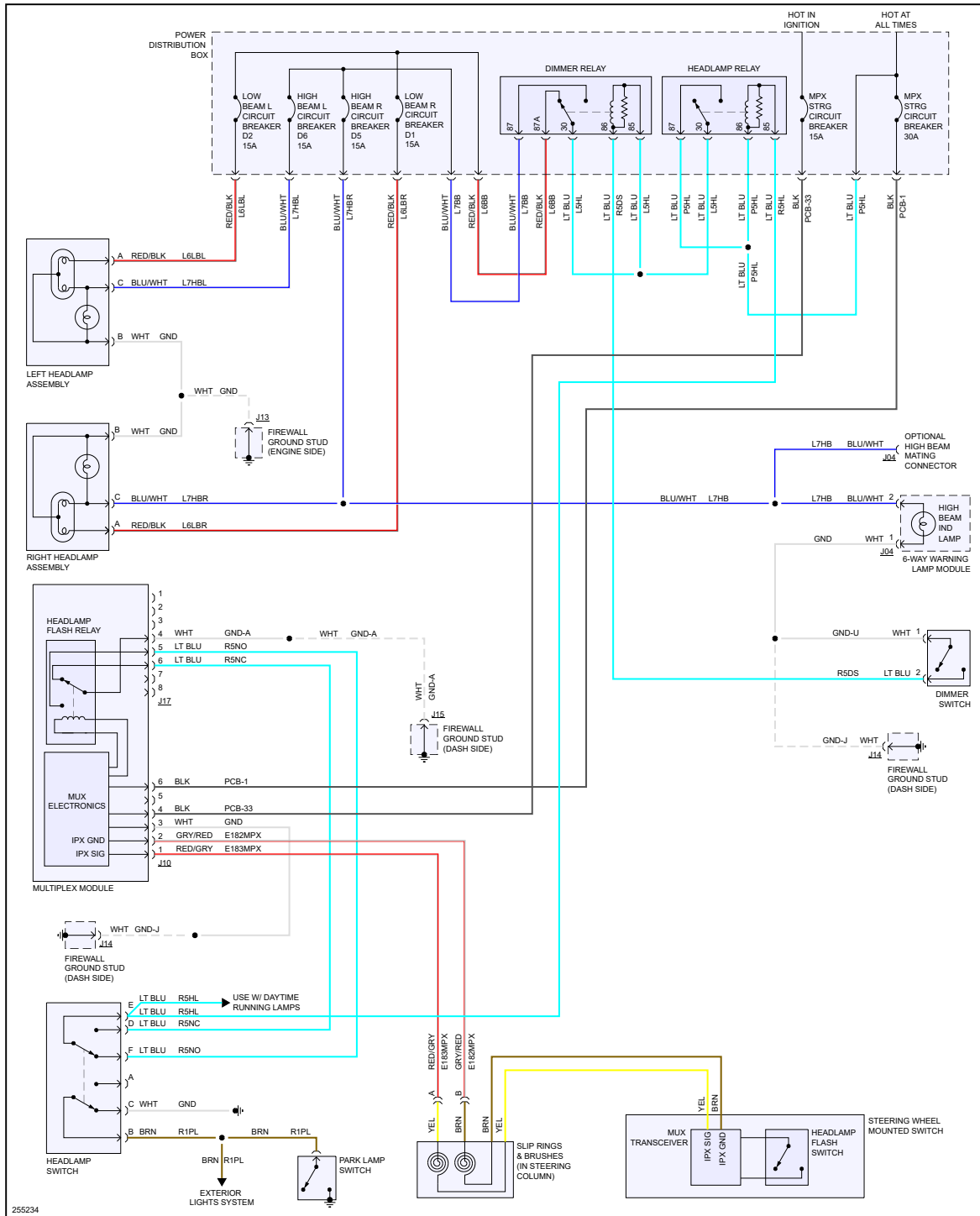


Fig 4: Headlamps Circuit, W/ Multiplex Steering Wheel



255234

Fig 5: Headlamps Circuit, W/O Multiplex Steering Wheel W/ DRL

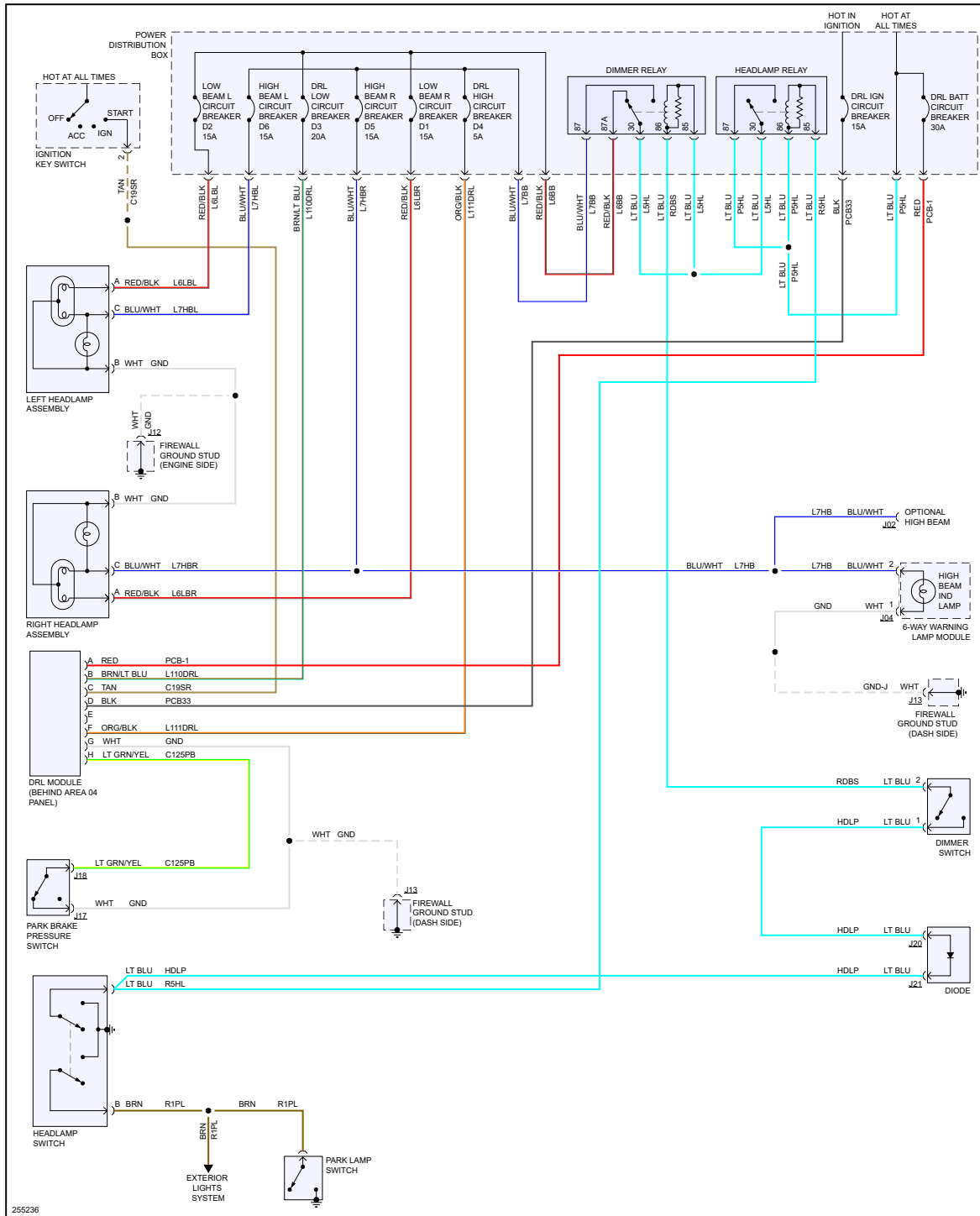
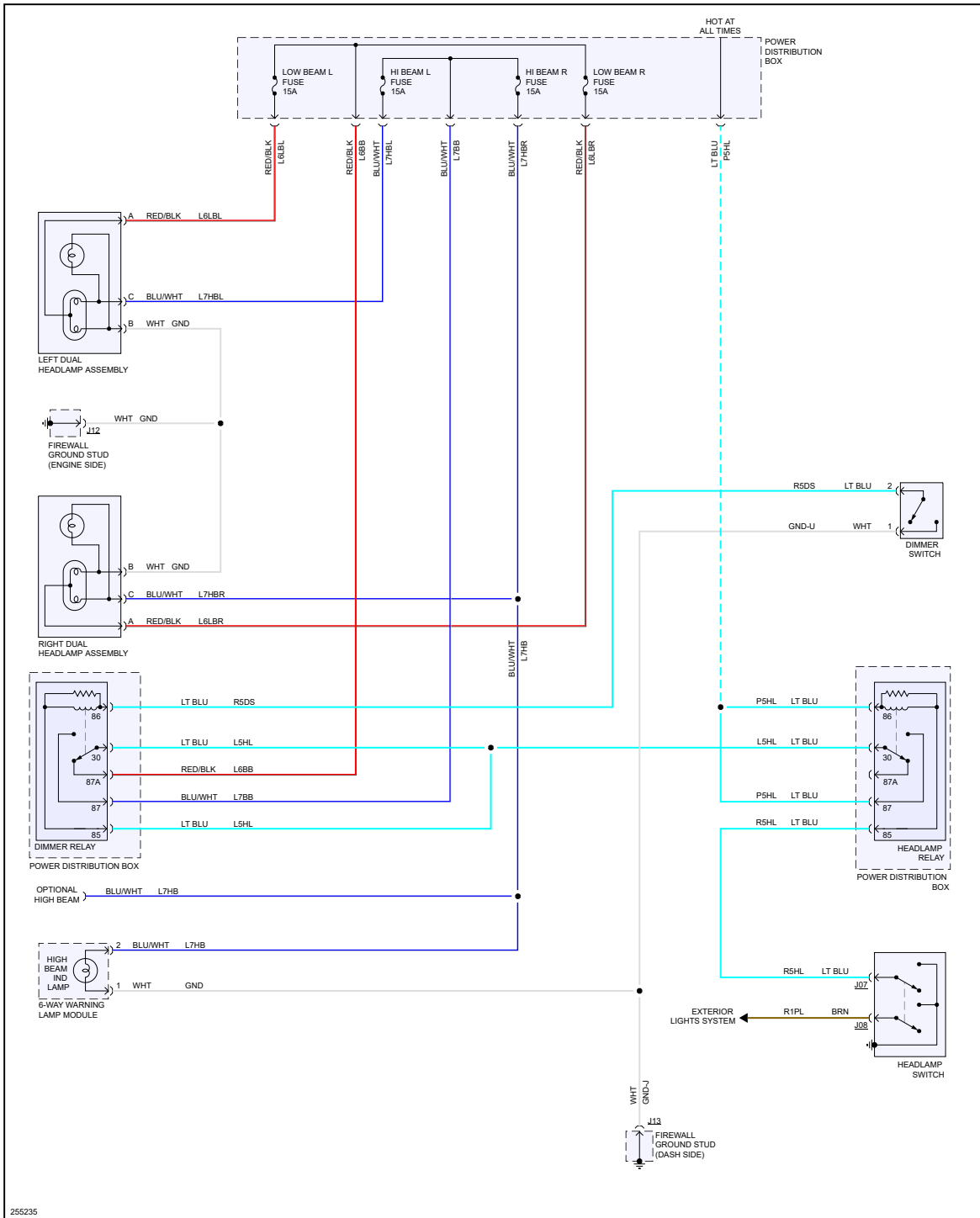
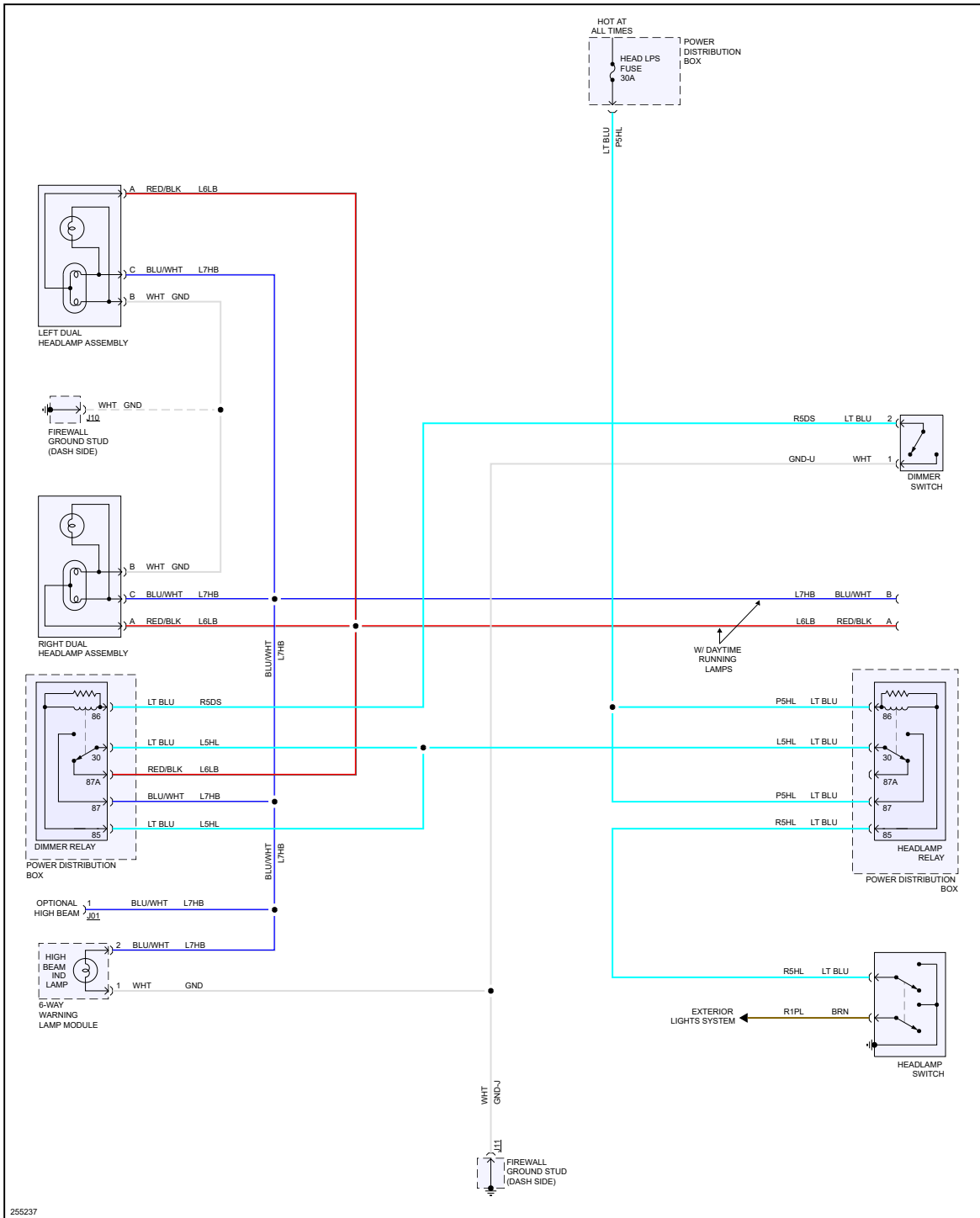


Fig 6: Headlamps Circuit, W/O Multiplex Steering Wheel or DRL, W/ Power Distribution Box Upgrade



255235

Fig 7: Headlamps Circuit, W/O Multiplex Steering Wheel, DRL or Power Distribution Box Upgrade



255237

