



YMMS: 2009 Kenworth W900
Engine: Cummins ISX CM871 6 CYL
VIN: 1XKWD49X59J258256

Sep 9, 2020
License:
Odometer:

EXTERIOR LIGHTS

Fig 1: Back-up Lamps Circuit

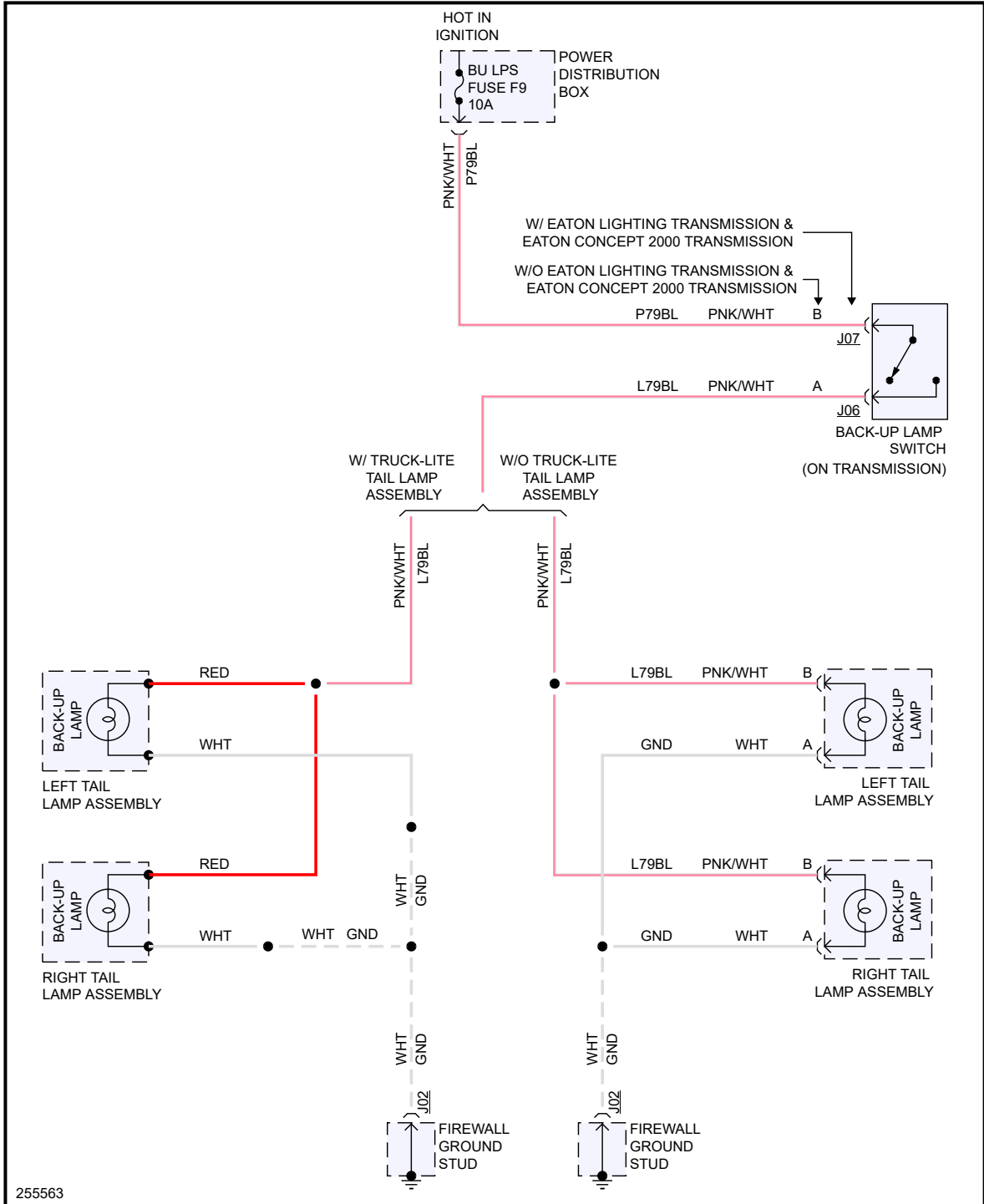


Fig 2: Clearance & Identification Lamps Circuit

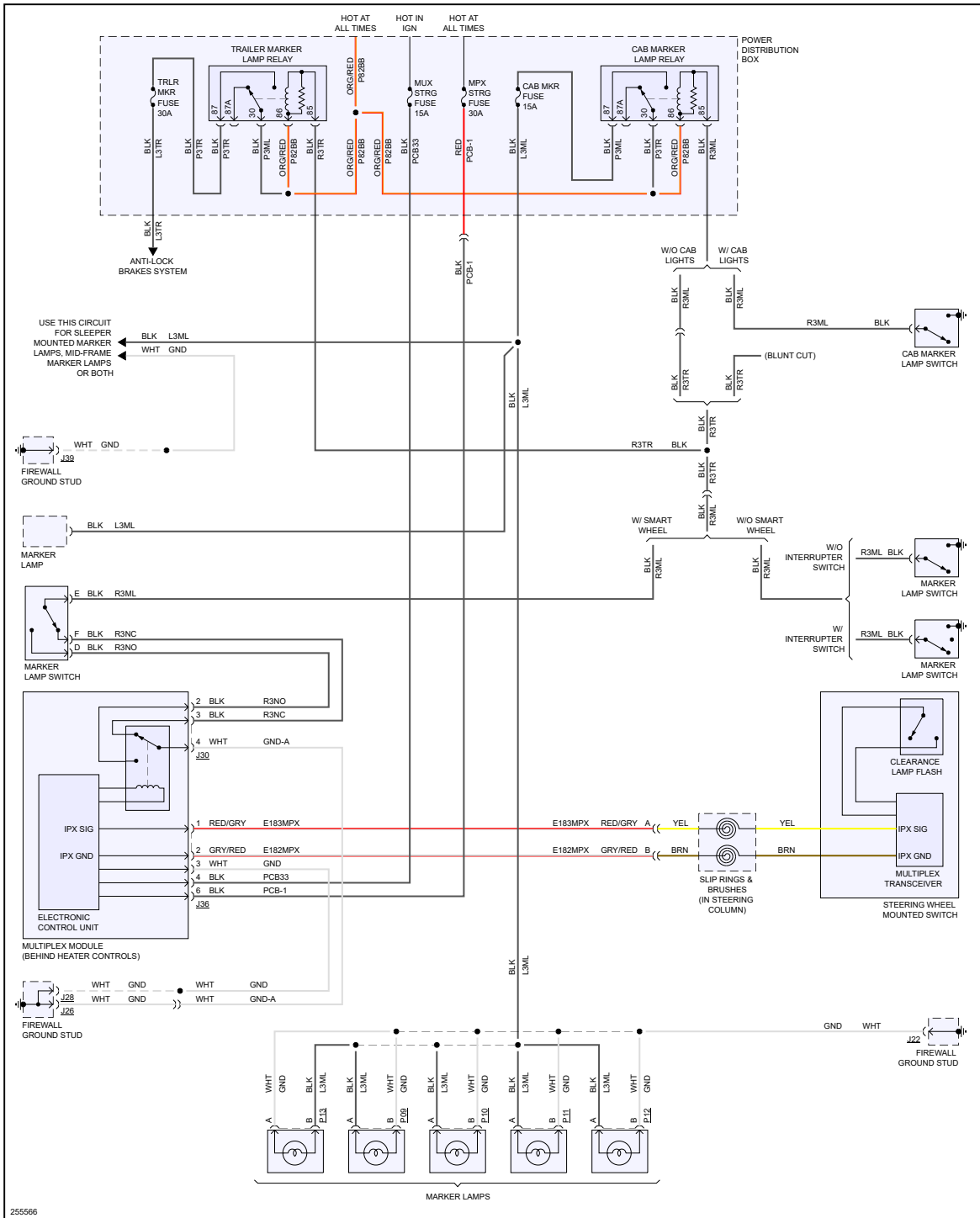
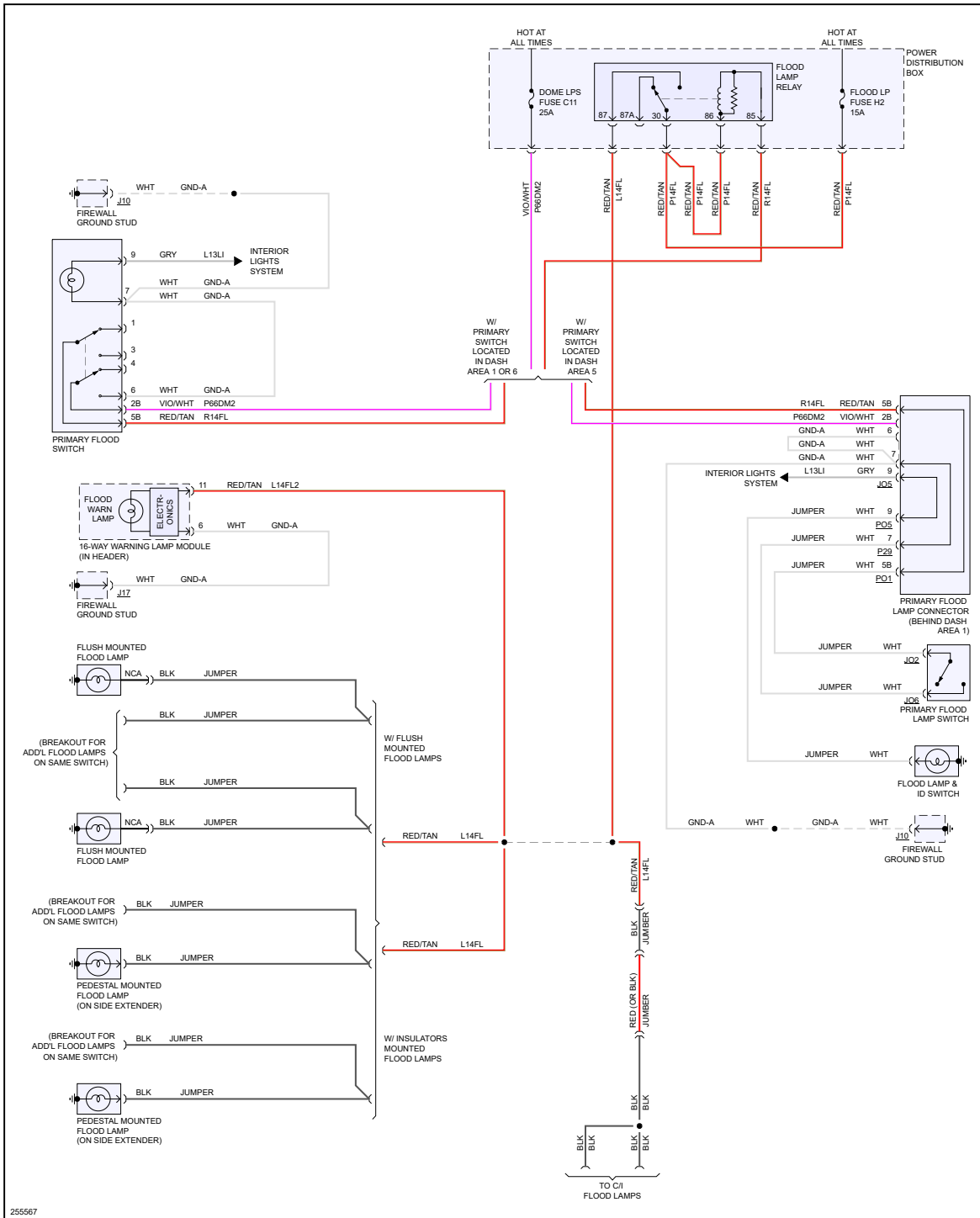


Fig 3: Flood Lamps Circuit



255567

Fig 4: Park & Tail Lamps Circuit, W/ NAMUX Instrumentation (1 of 2)

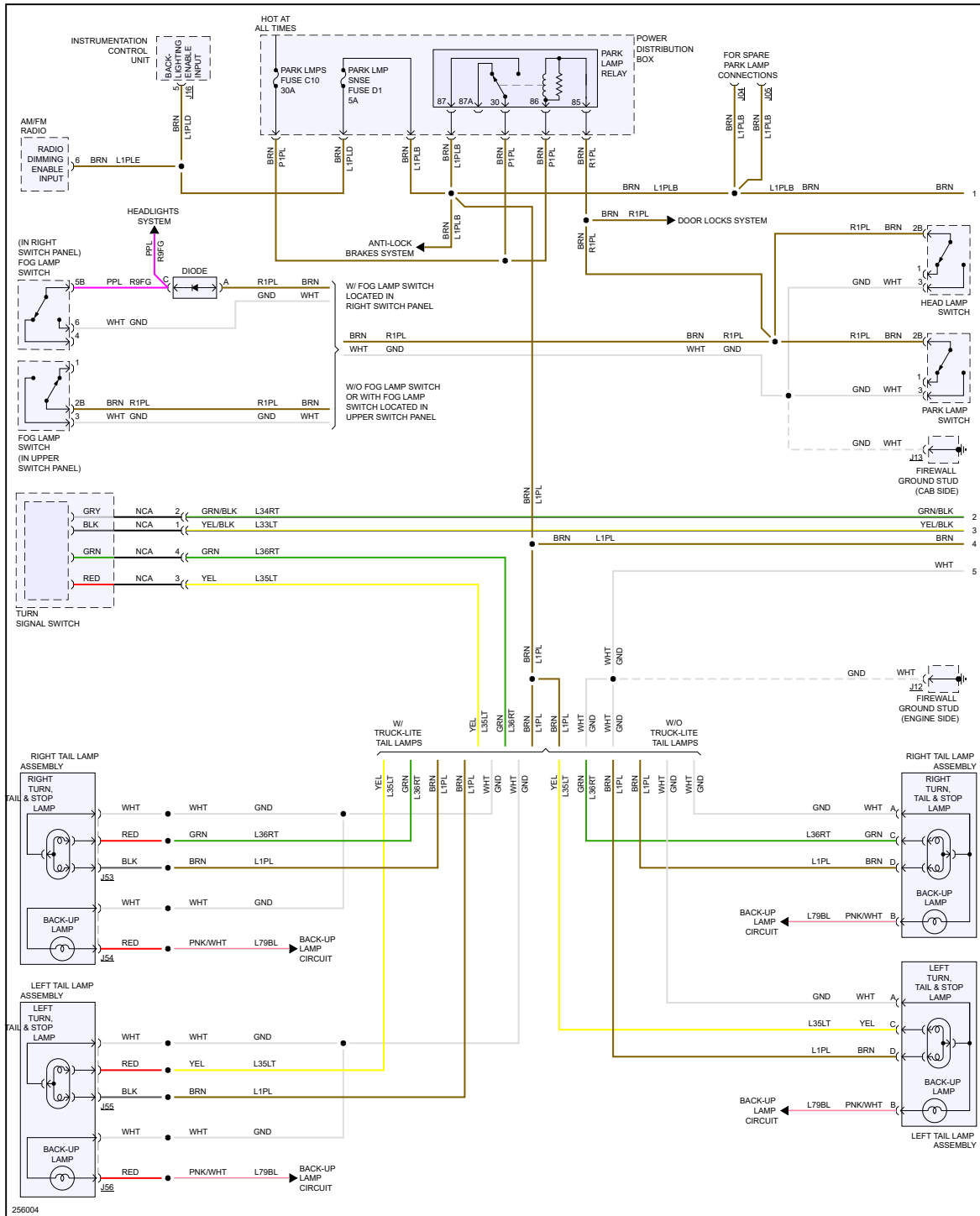


Fig 5: Park & Tail Lamps Circuit, W/ NAMUX Instrumentation (2 of 2)

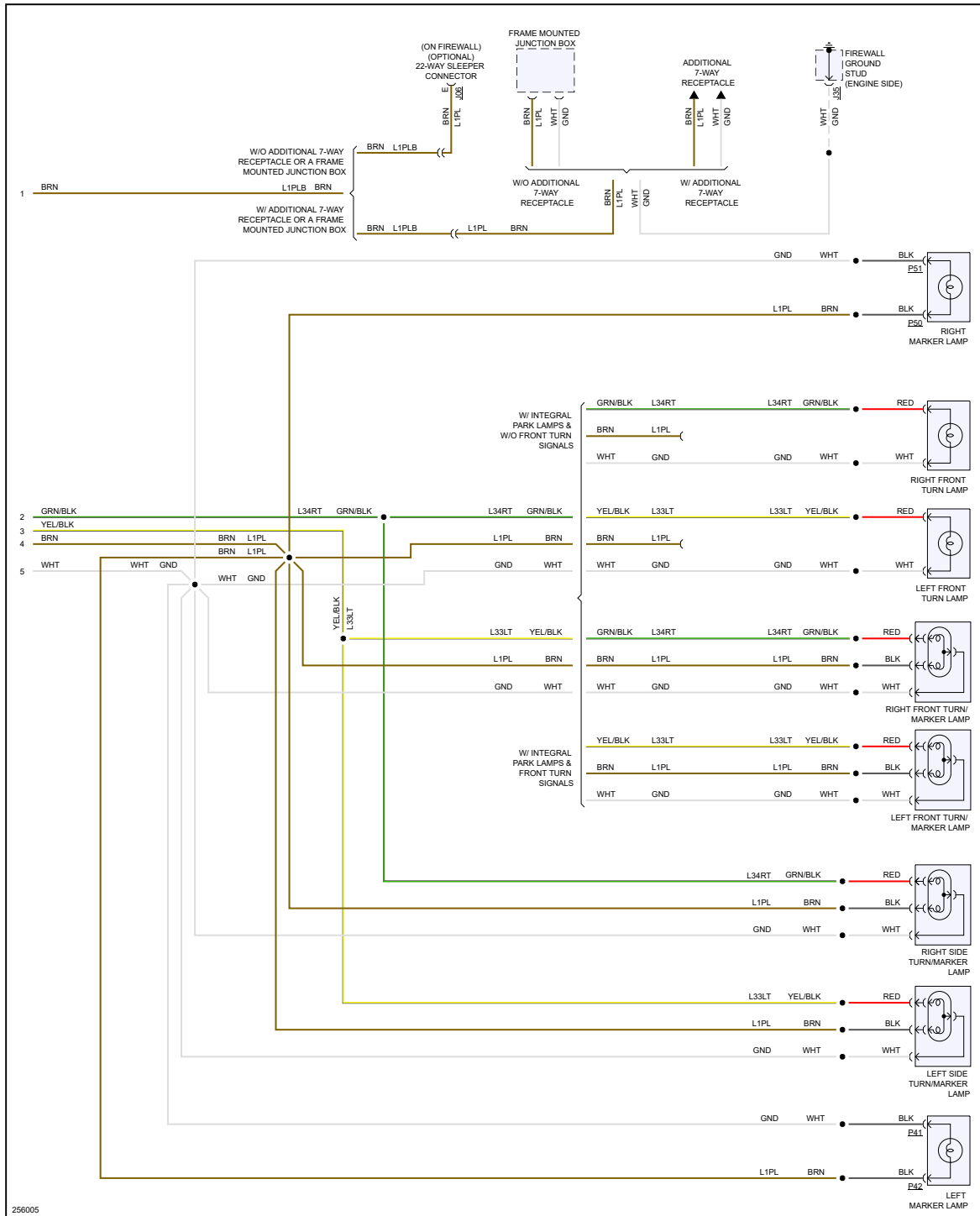
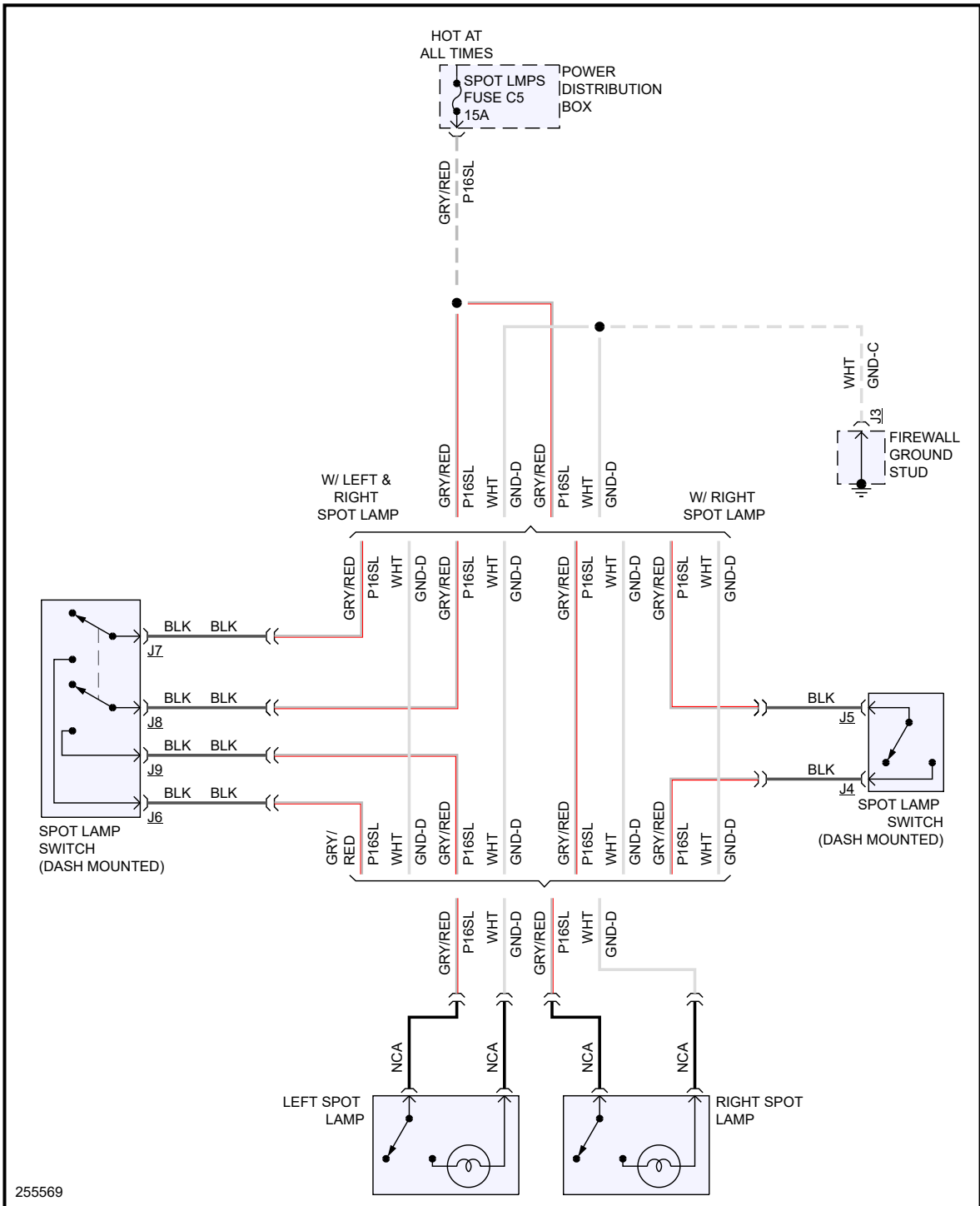
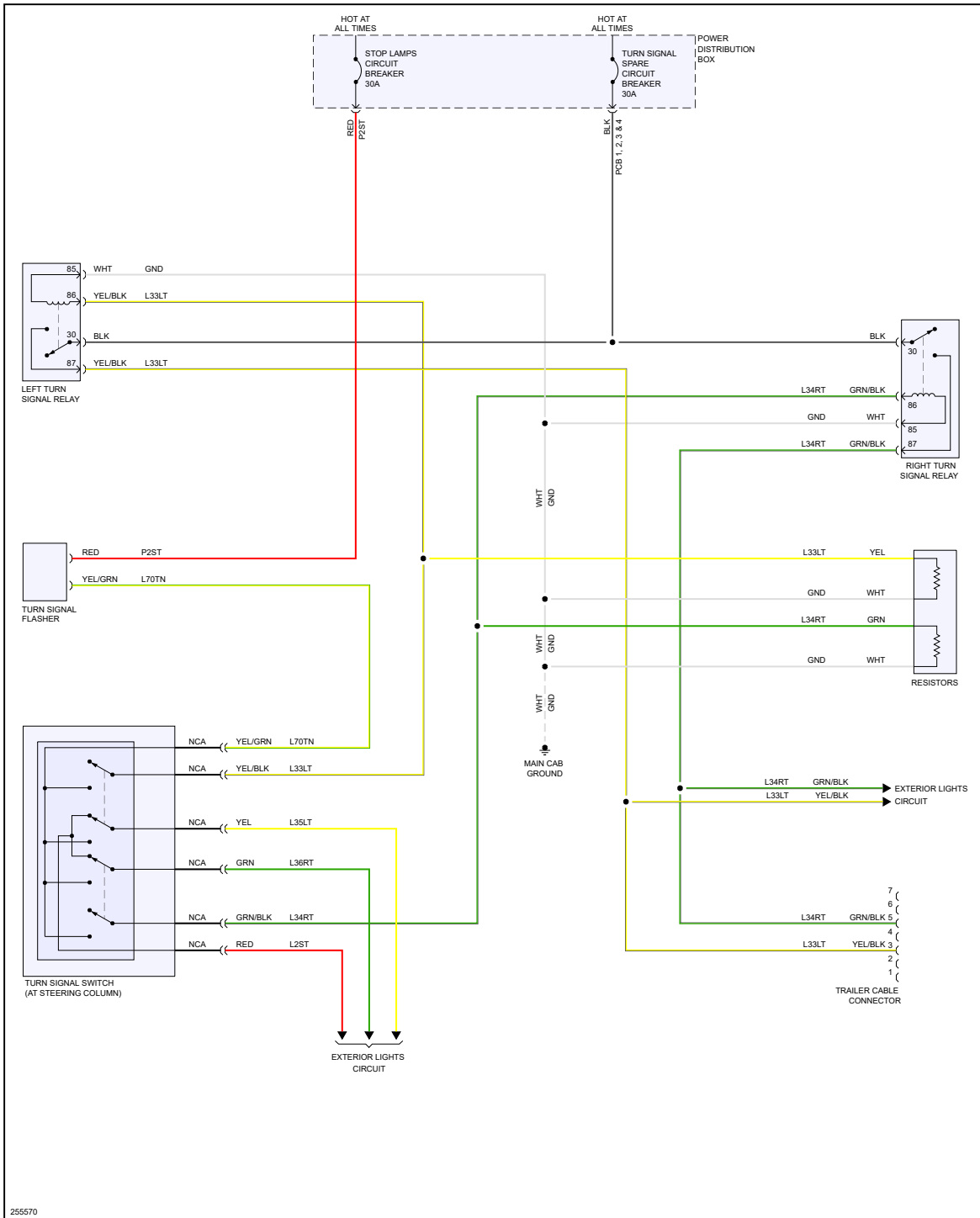


Fig 6: Spot Lamps Circuit



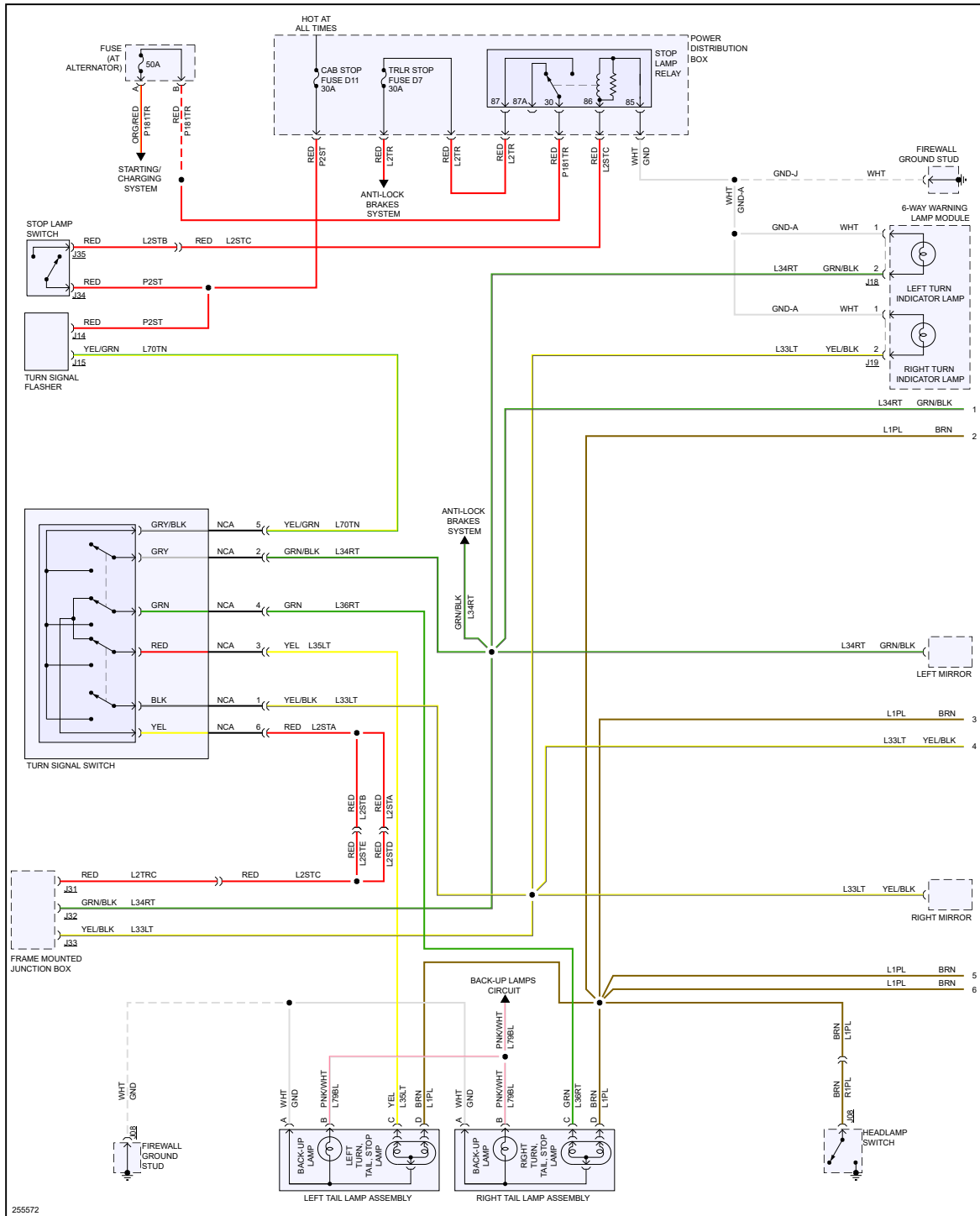
255569

Fig 7: Trailer Light Circuit



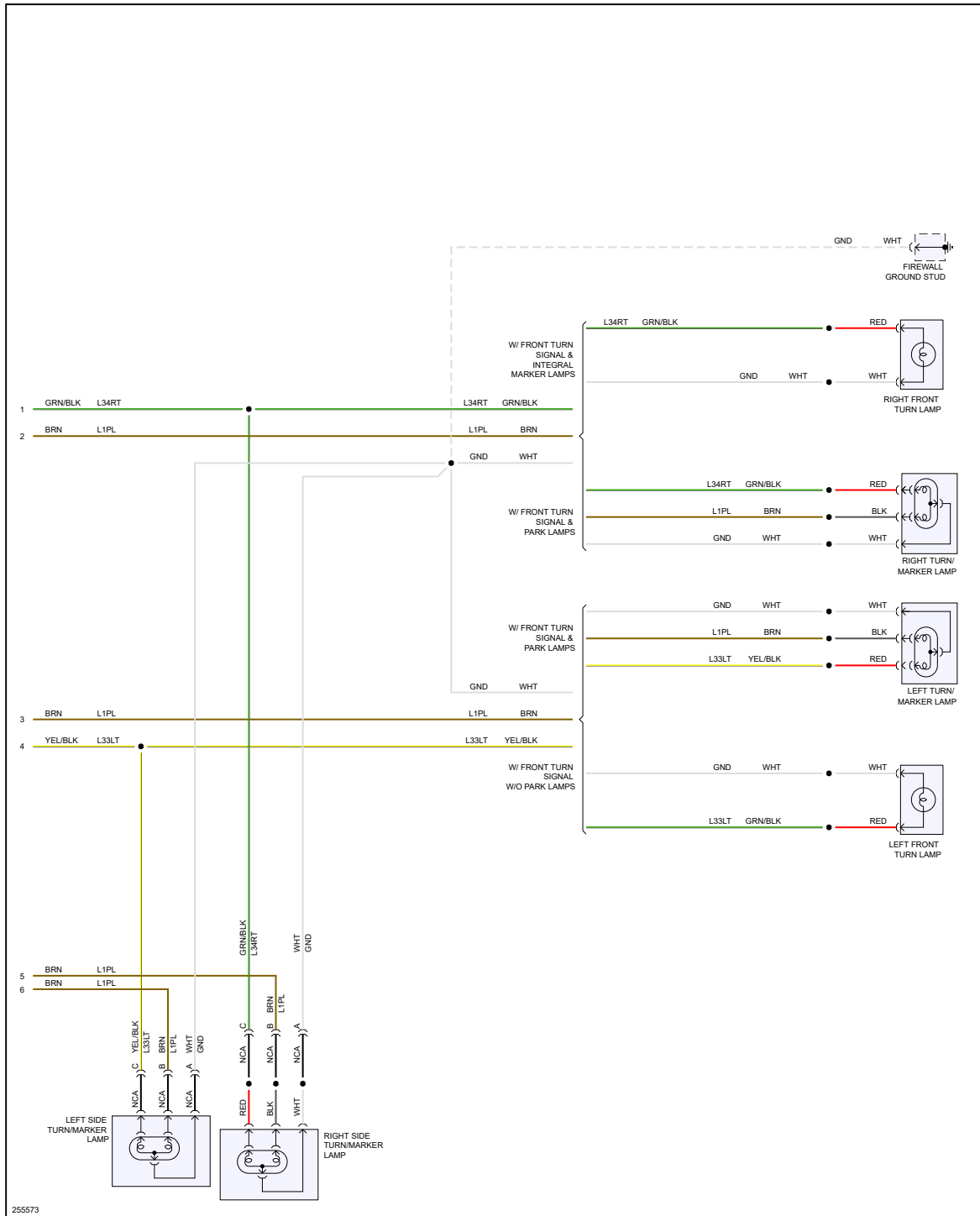
255570

Fig 8: Turn & Hazard & Stop Lamps Circuit (1 of 2)



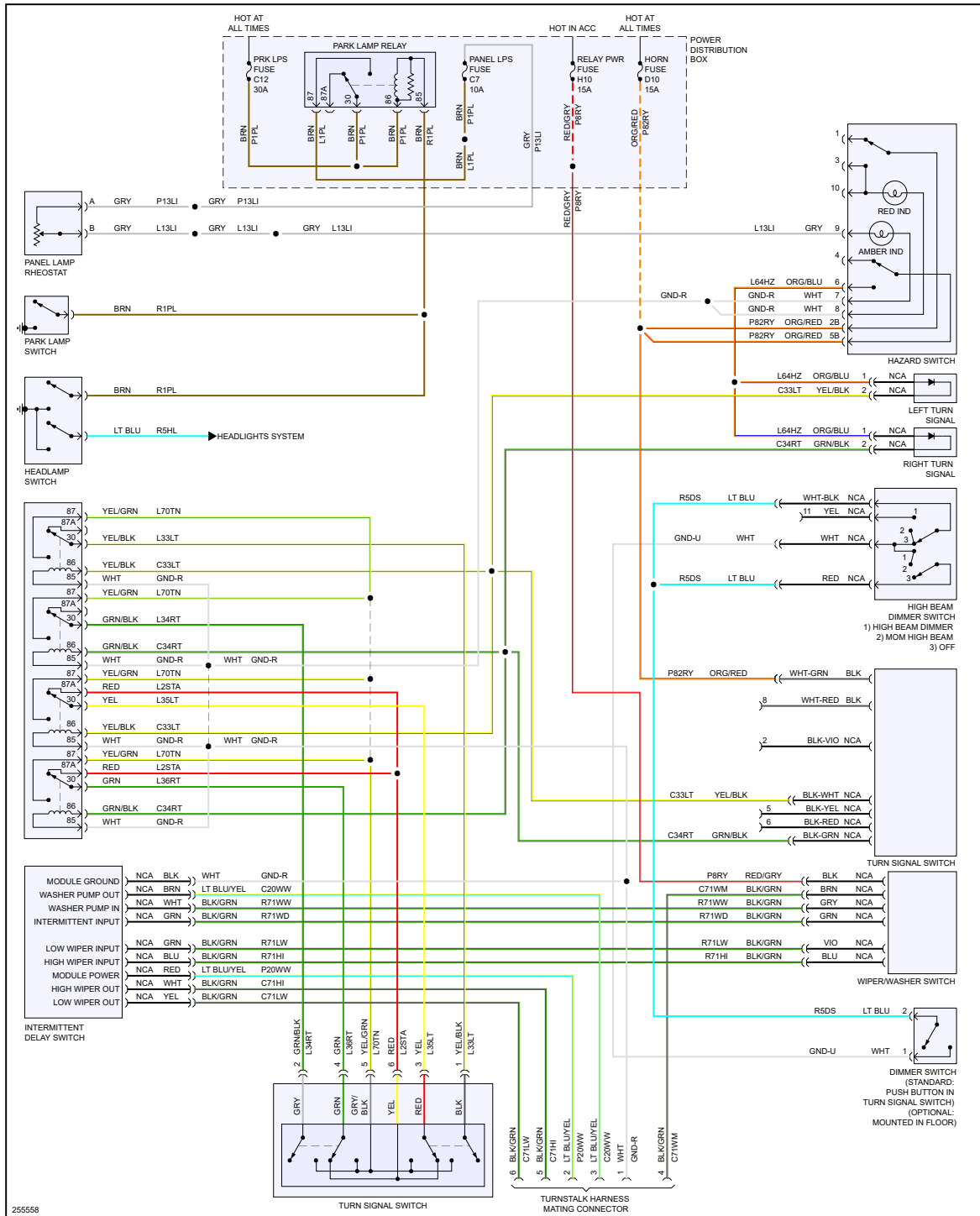
255572

Fig 9: Turn & Hazard & Stop Lamps Circuit (2 of 2)



255573

Fig 10: Turnstalk Circuit, Valeo



HEADLIGHTS

Fig 11: Fog Lamps Circuit, W/ Upgraded Power Distribution Box

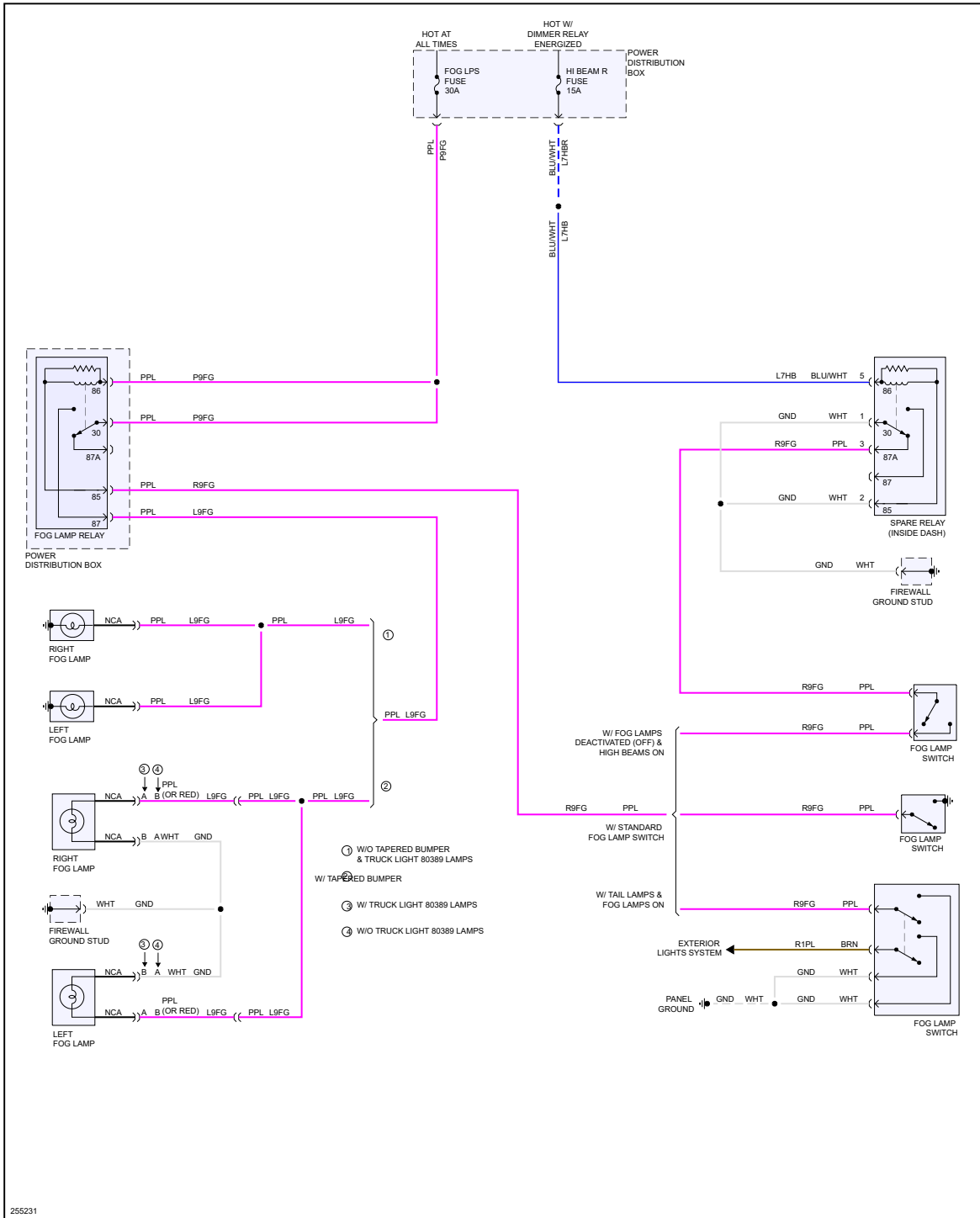


Fig 12: Fog Lamps Circuit, W/O Upgraded Power Distribution Box

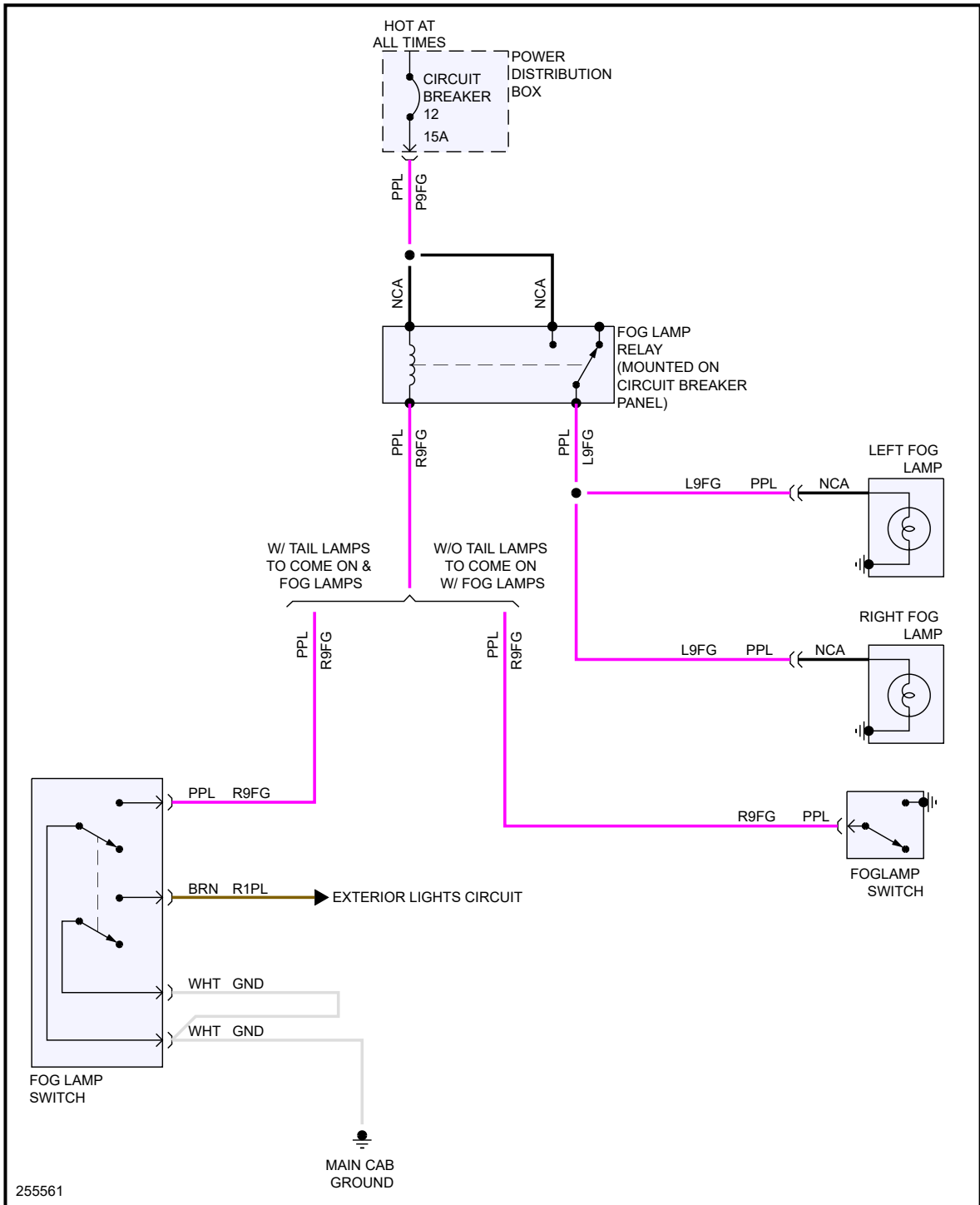


Fig 13: Fog/Road Lamps Circuit

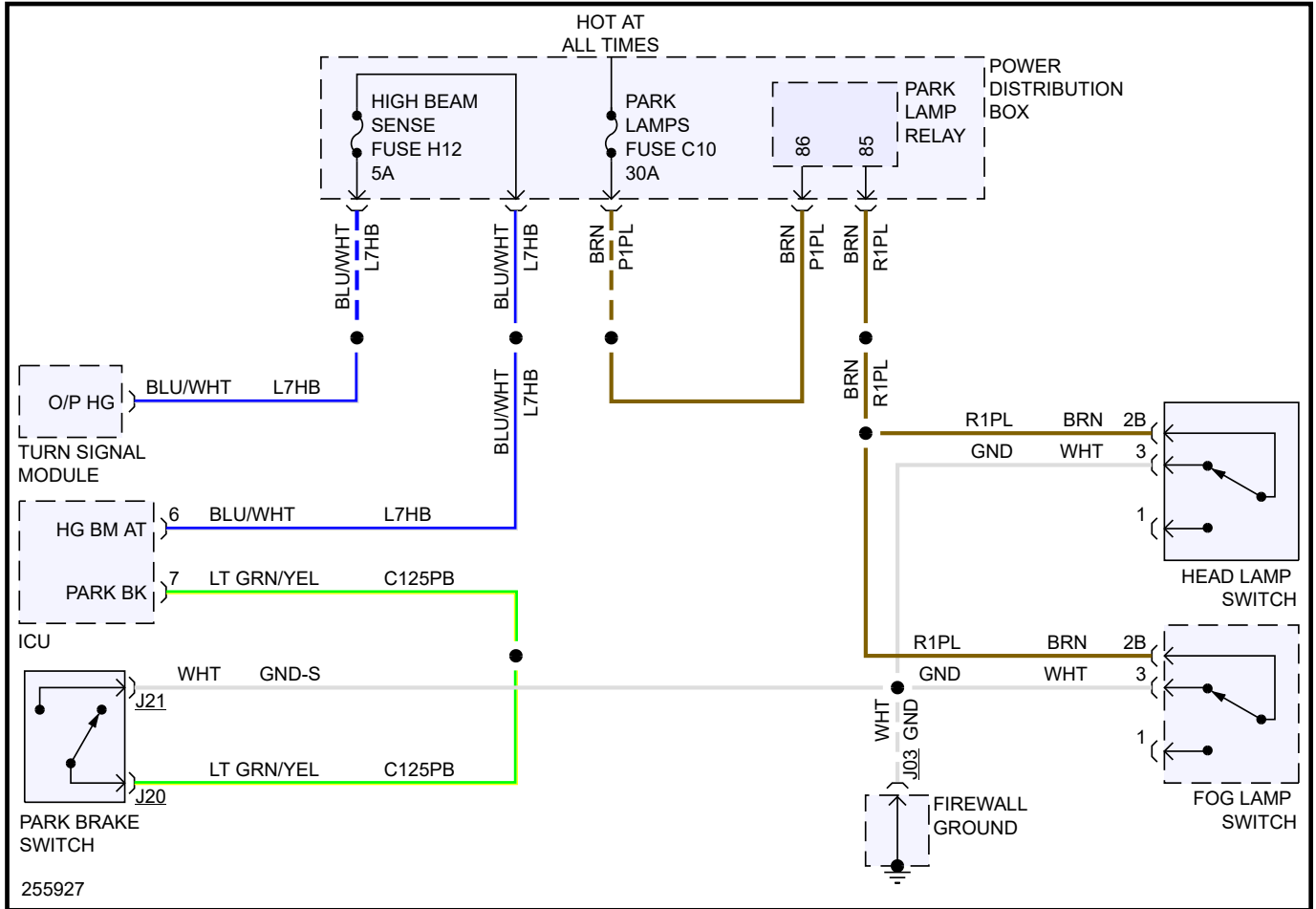


Fig 14: Headlamps Circuit, W/ Multiplex Steering Wheel

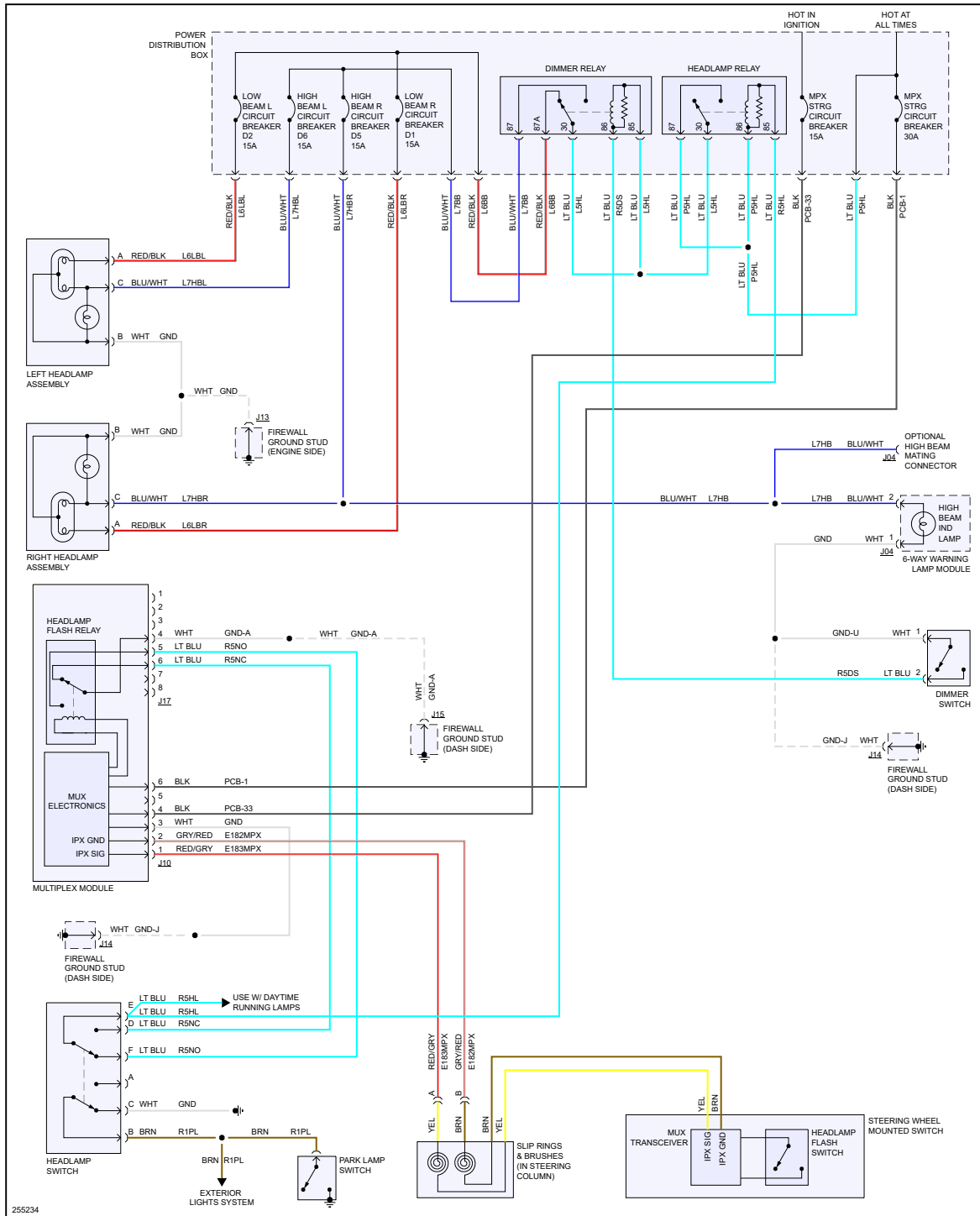


Fig 15: Headlamps Circuit, W/O Multiplex Steering Wheel W/ DRL

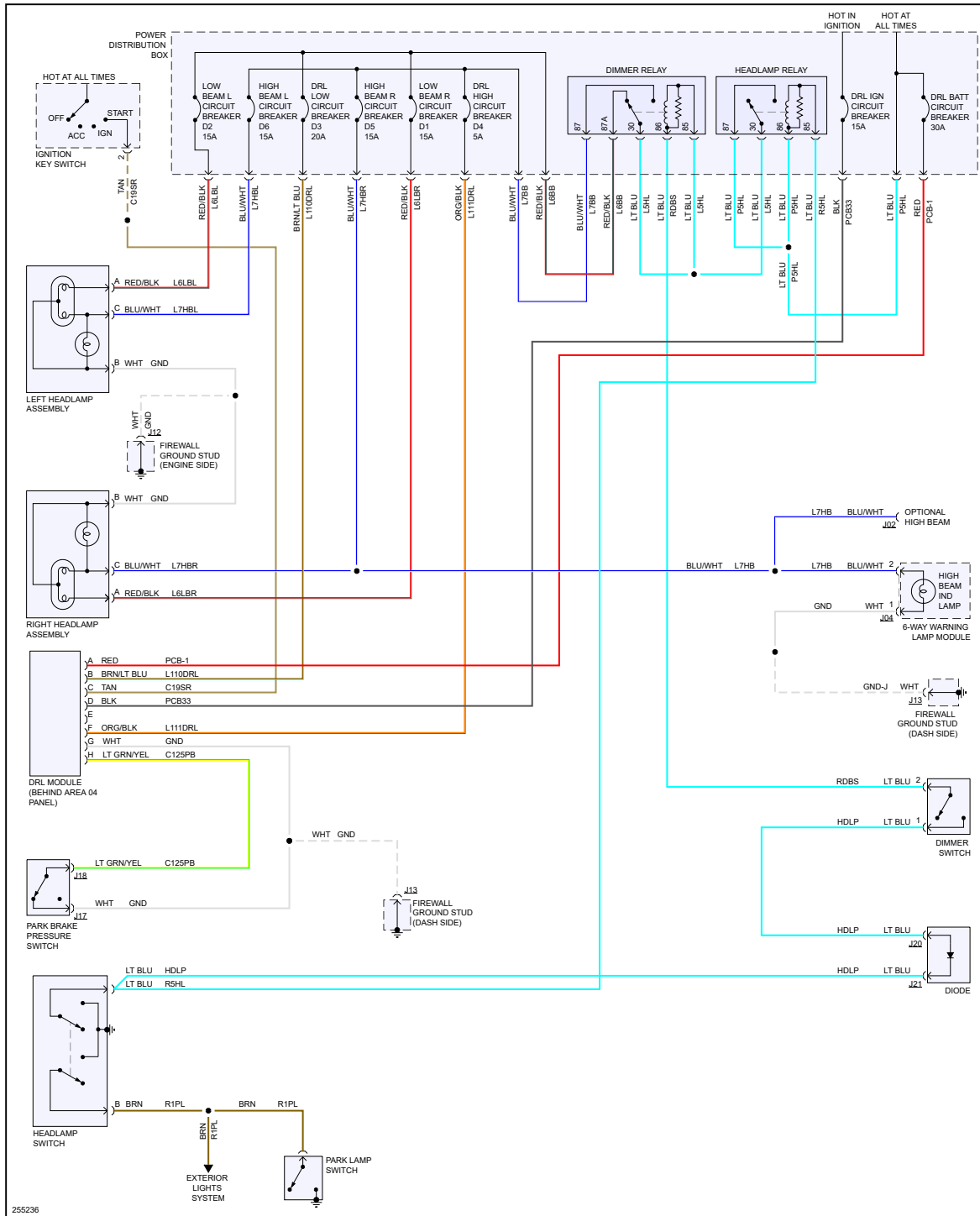
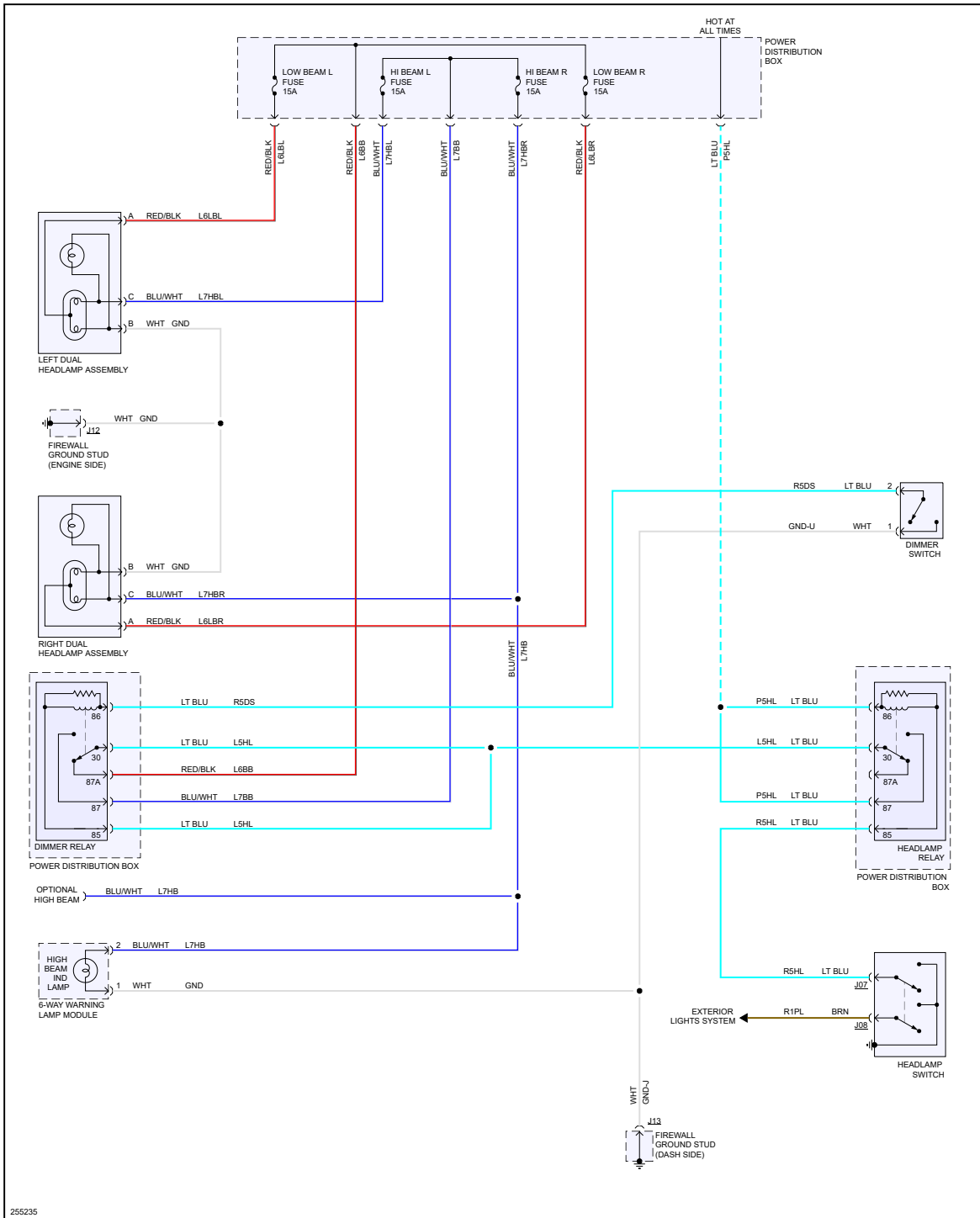
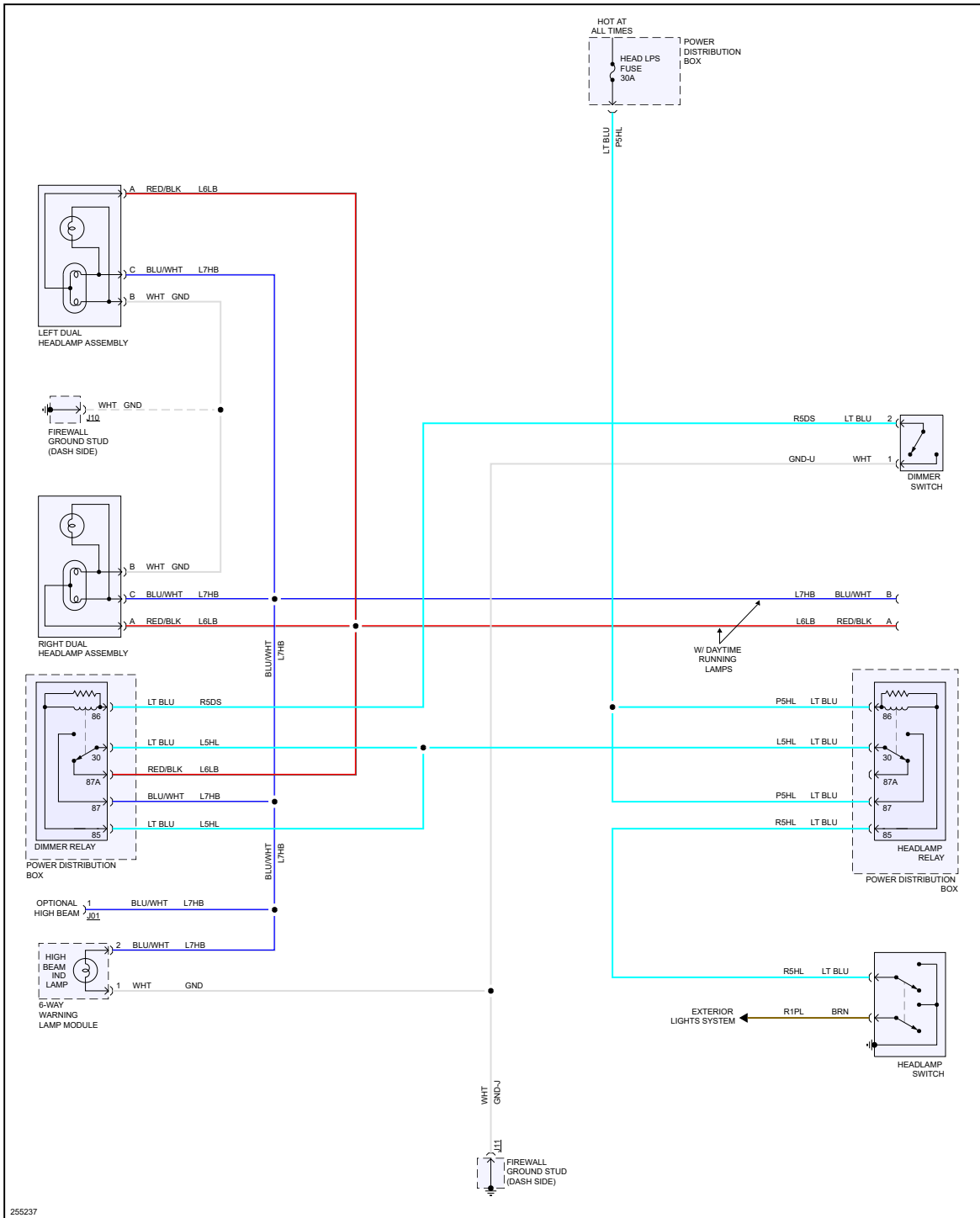


Fig 16: Headlamps Circuit, W/O Multiplex Steering Wheel or DRL, W/ Power Distribution Box Upgrade



255235

Fig 17: Headlamps Circuit, W/O Multiplex Steering Wheel, DRL or Power Distribution Box Upgrade



255237

