



YMMS: 2014 Mack Pinnacle Series - CHU-613
Engine: Mack MP8 V-MAC IV (CHU Series) 6 CYL
VIN:

Aug 26, 2020
License:
Odometer:

MACK VMAC IV - 2013 EMISSIONS GRANITE, PINNACLE & TITAN SERIES ENGINE PERFORMANCE WIRING DIAGRAMS

Fig 1: 2013 Engine Performance Circuit (1 of 7)

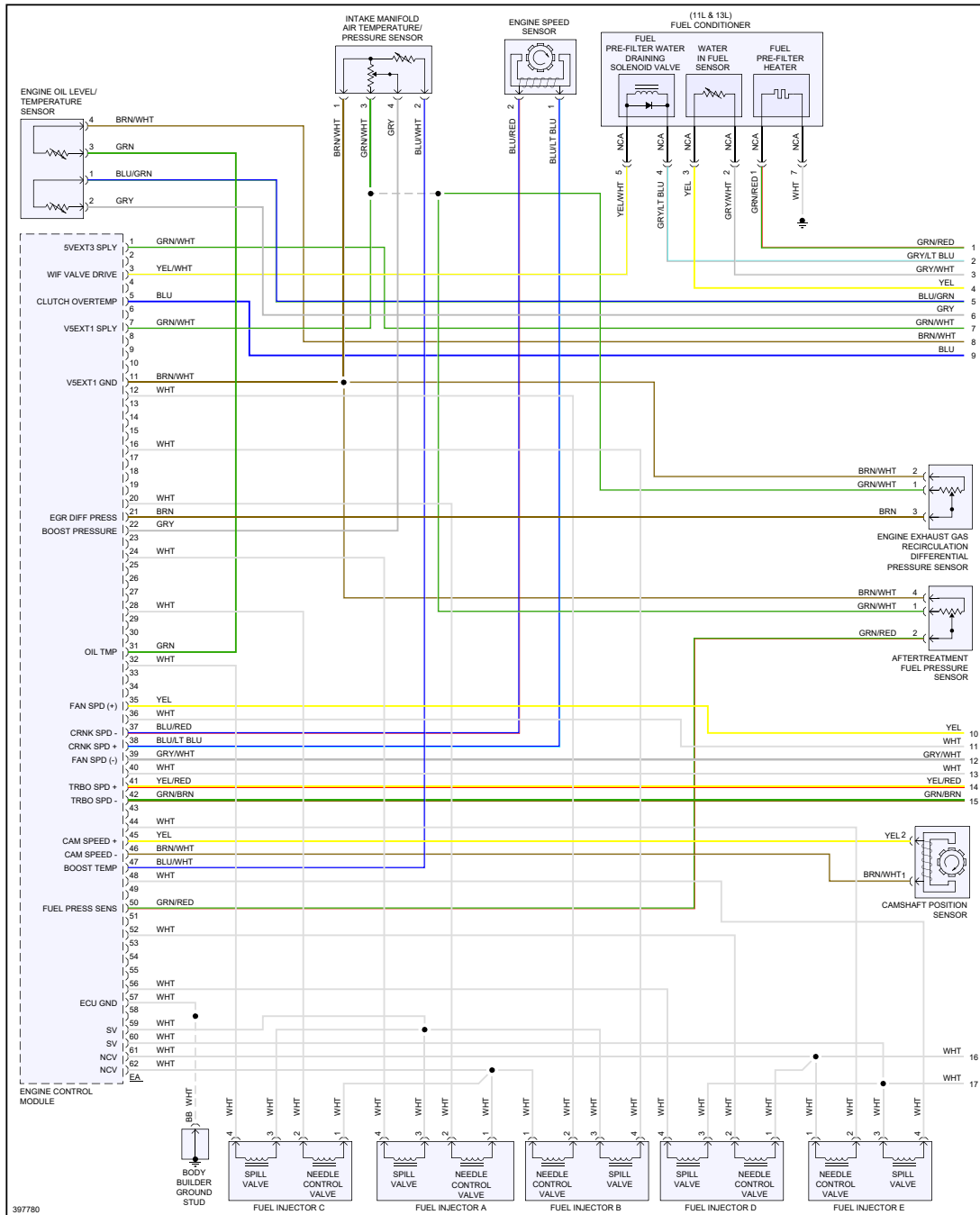


Fig 2: 2013 Engine Performance Circuit (2 of 7)

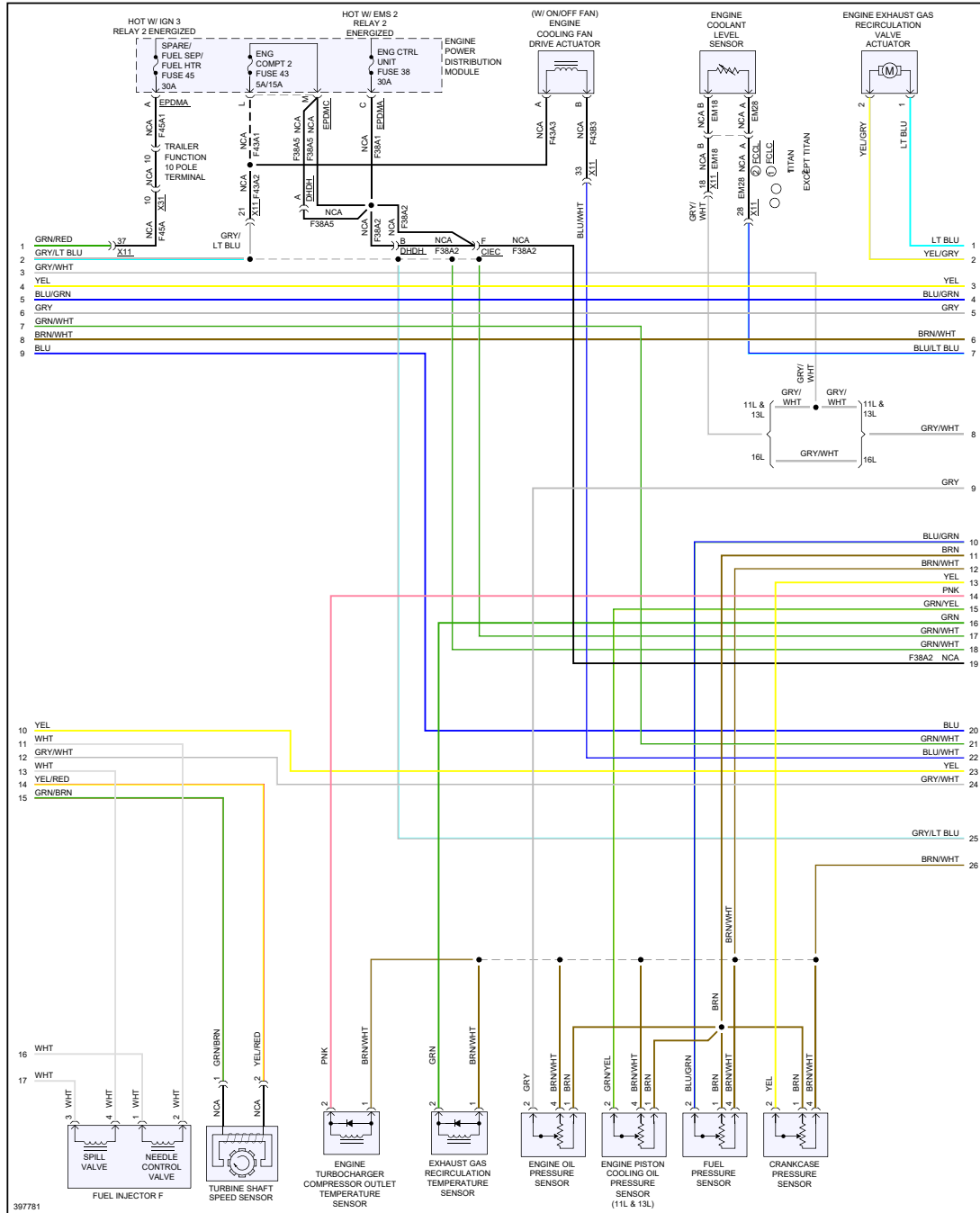


Fig 3: 2013 Engine Performance Circuit (3 of 7)

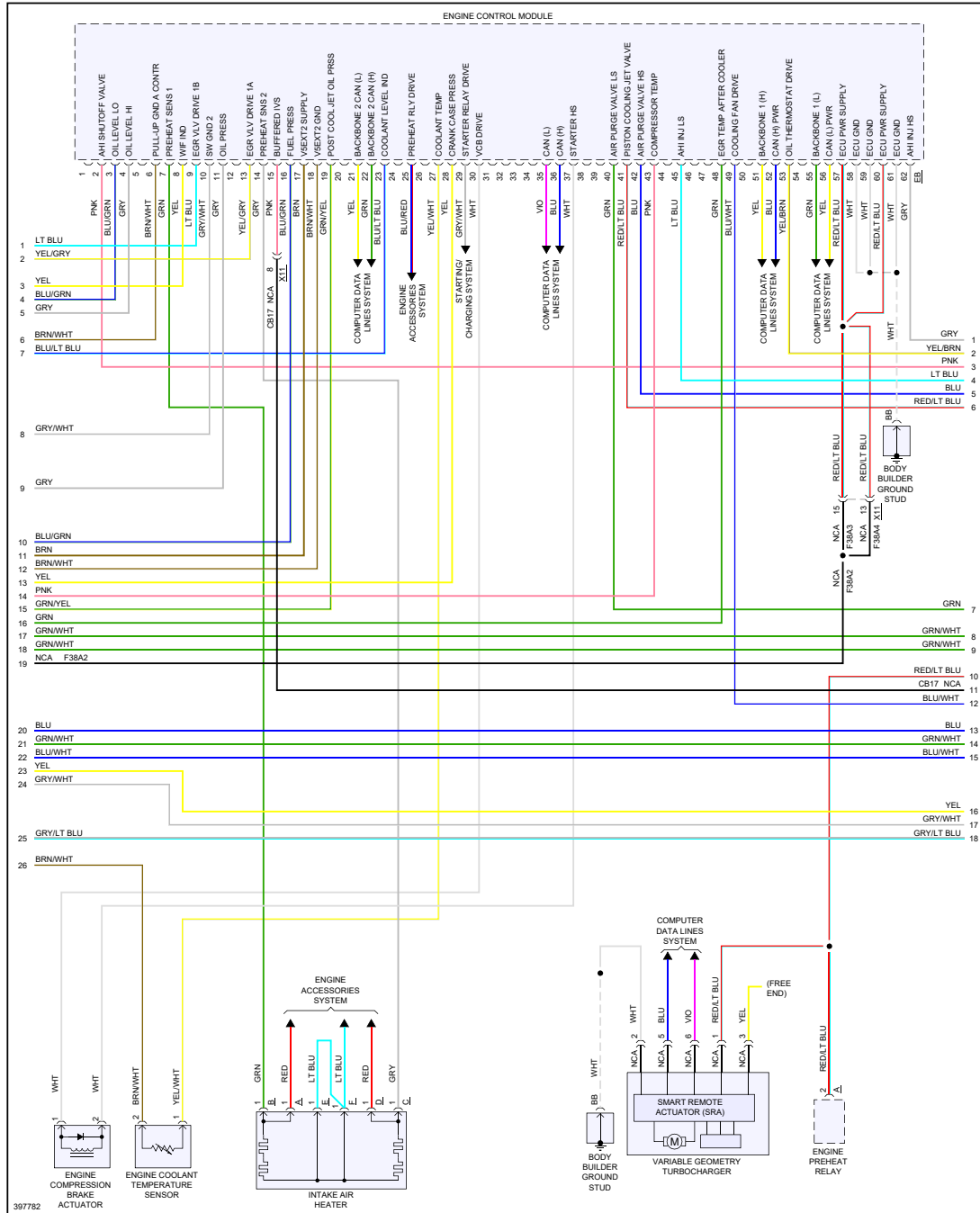


Fig 4: 2013 Engine Performance Circuit (4 of 7)

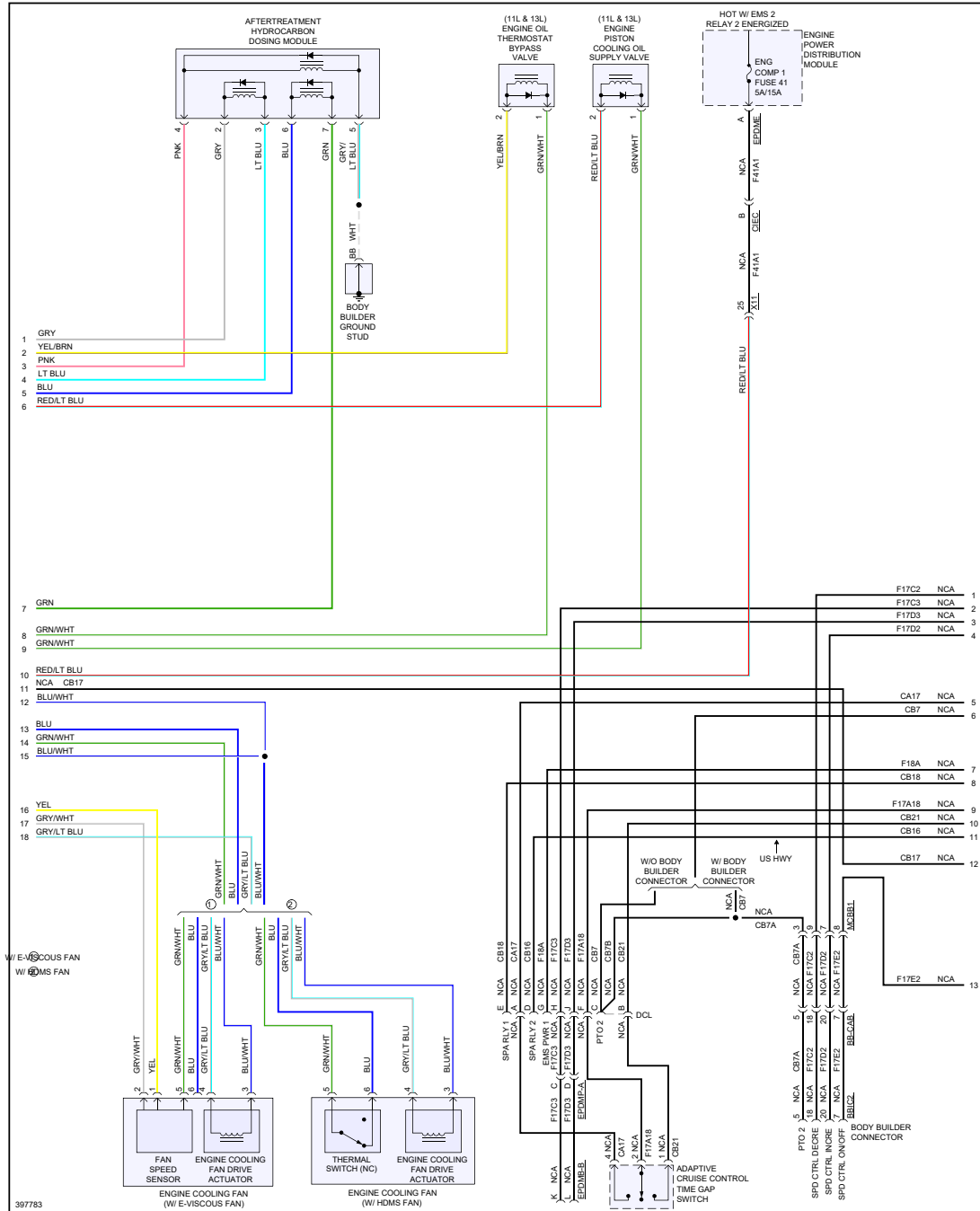


Fig 5: 2013 Engine Performance Circuit (5 of 7)

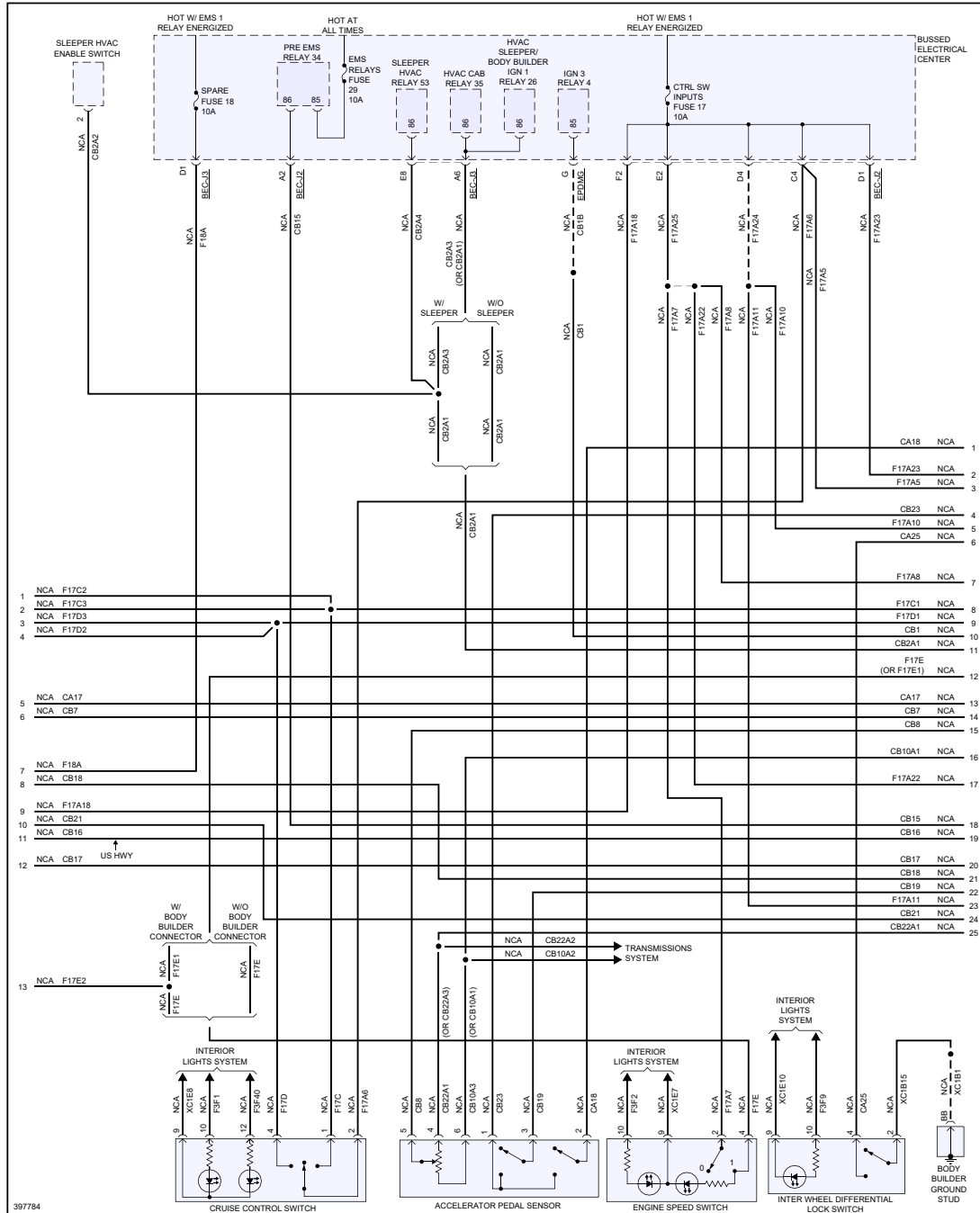


Fig 6: 2013 Engine Performance Circuit (6 of 7)

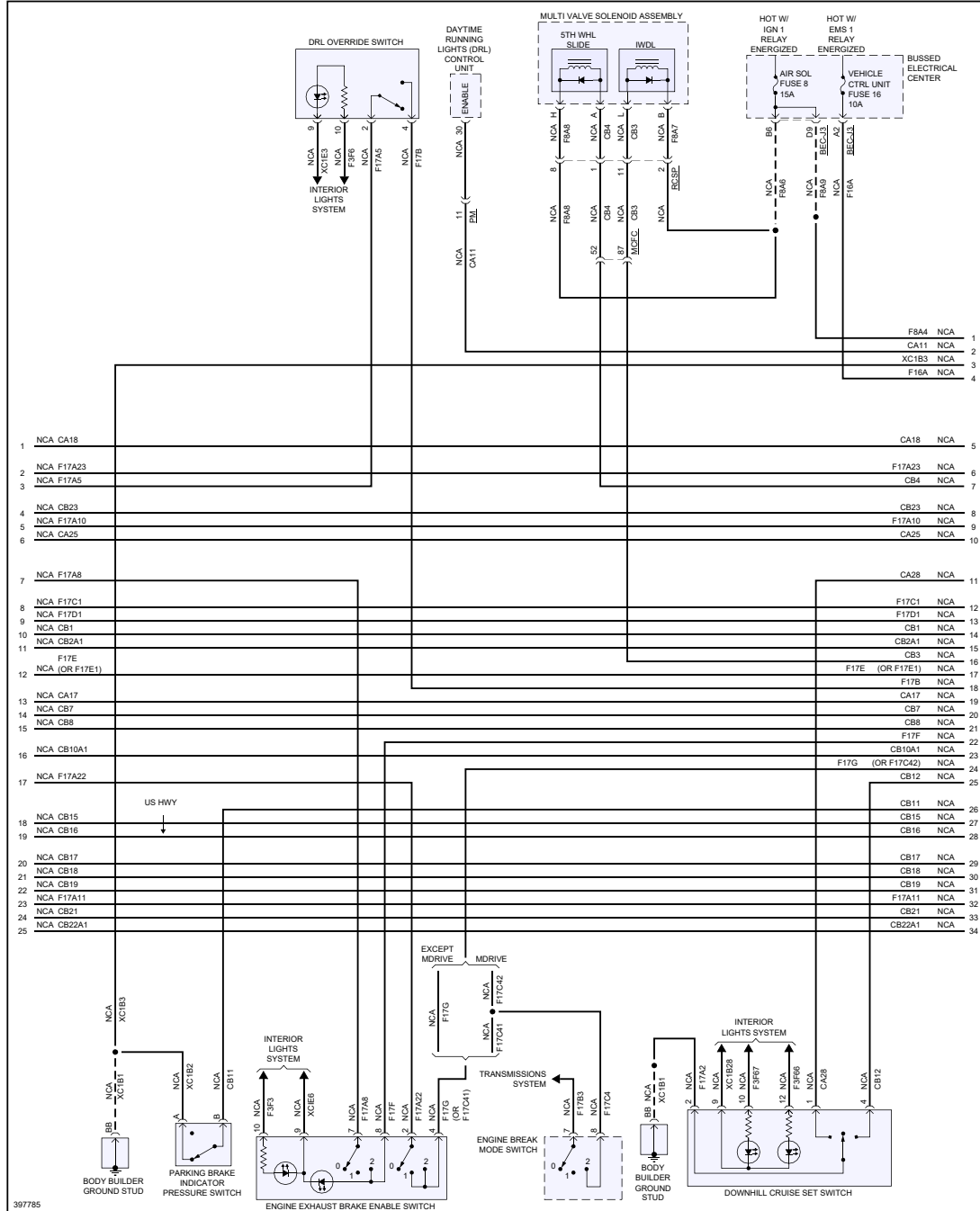


Fig 7: 2013 Engine Performance Circuit (7 of 7)

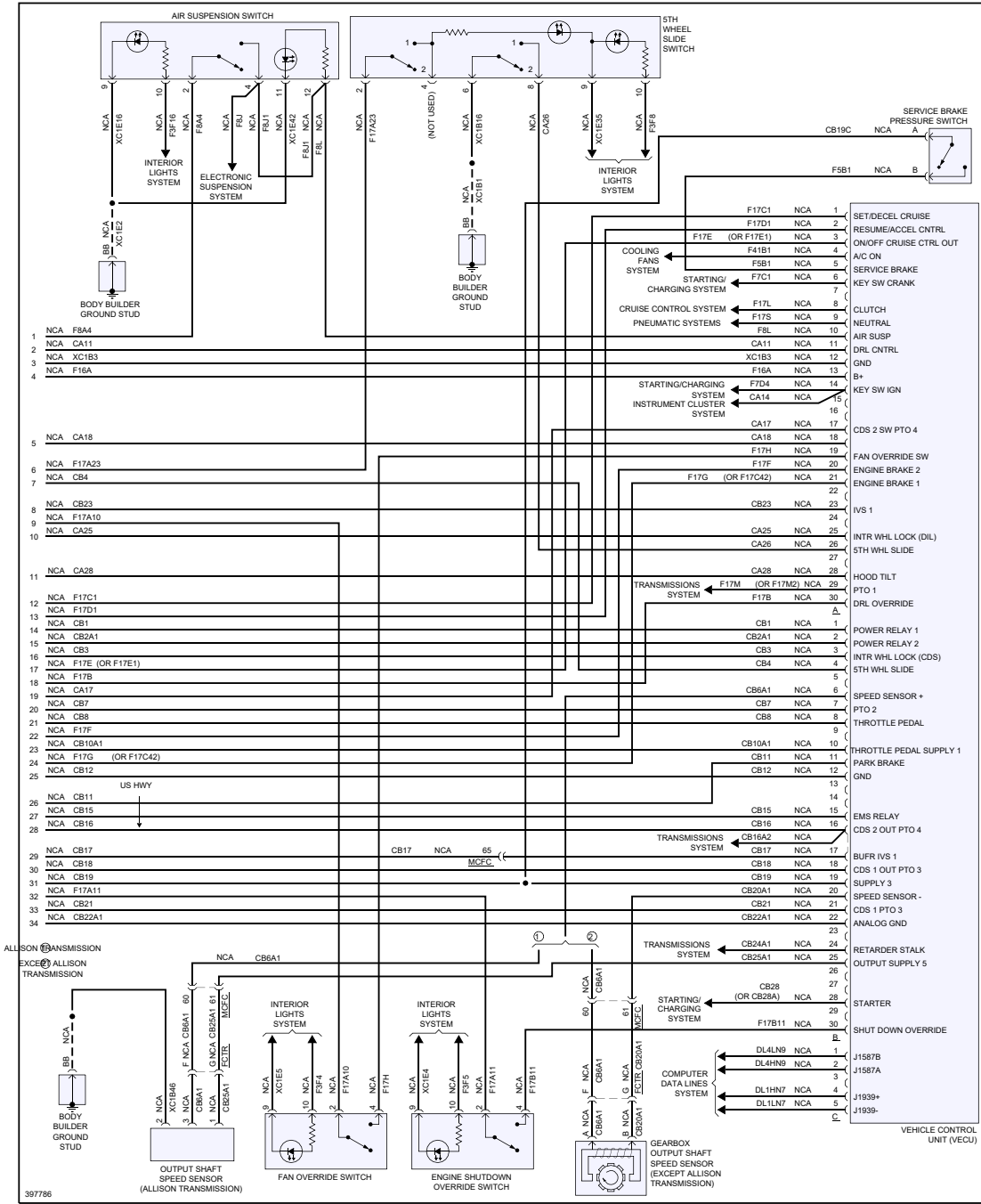


Fig 8: 2013 After Treatment Circuit - {Except Cummins ISL} (1 of 2)

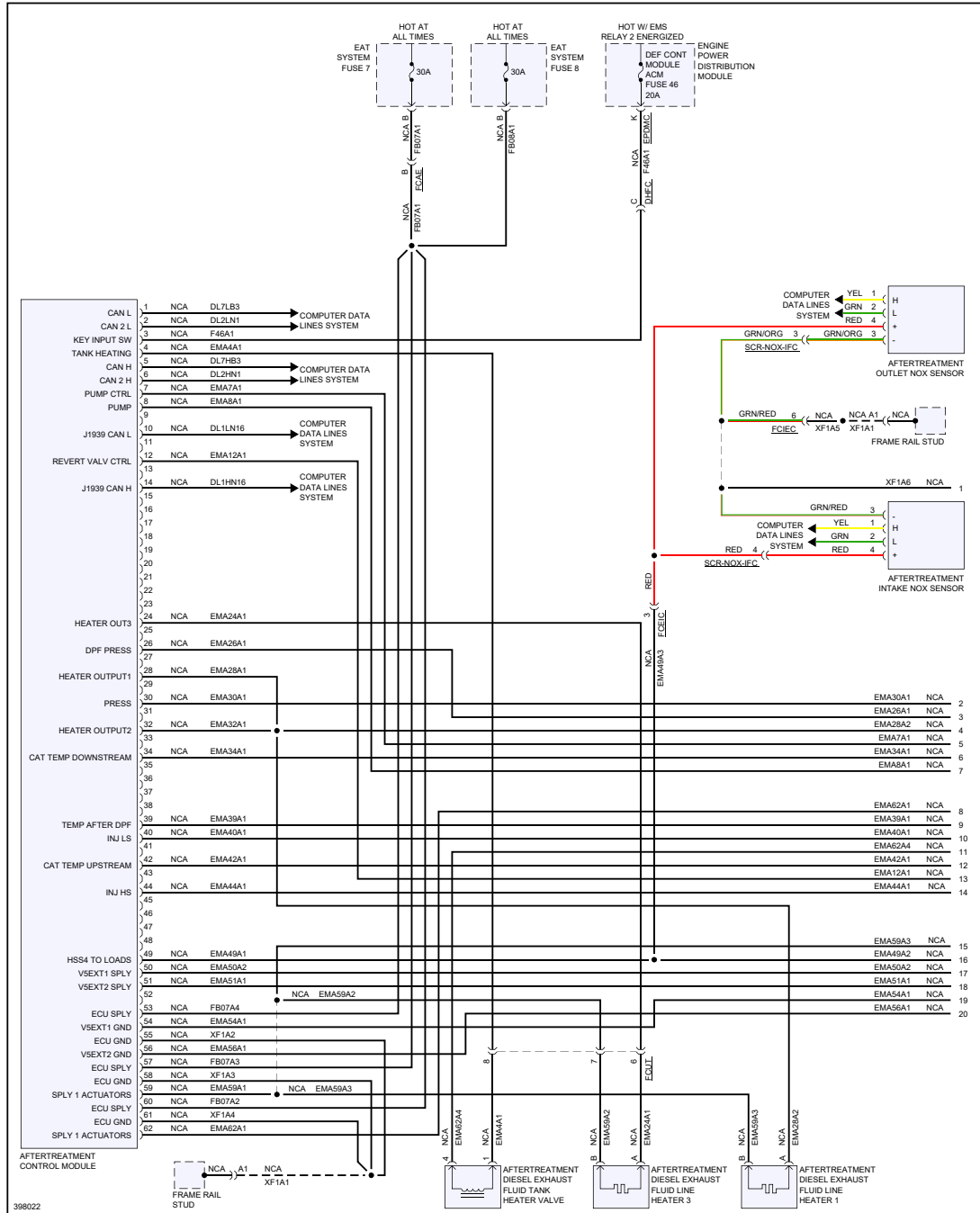


Fig 9: 2013 After Treatment Circuit - {Except Cummins ISL} (2 of 2)

