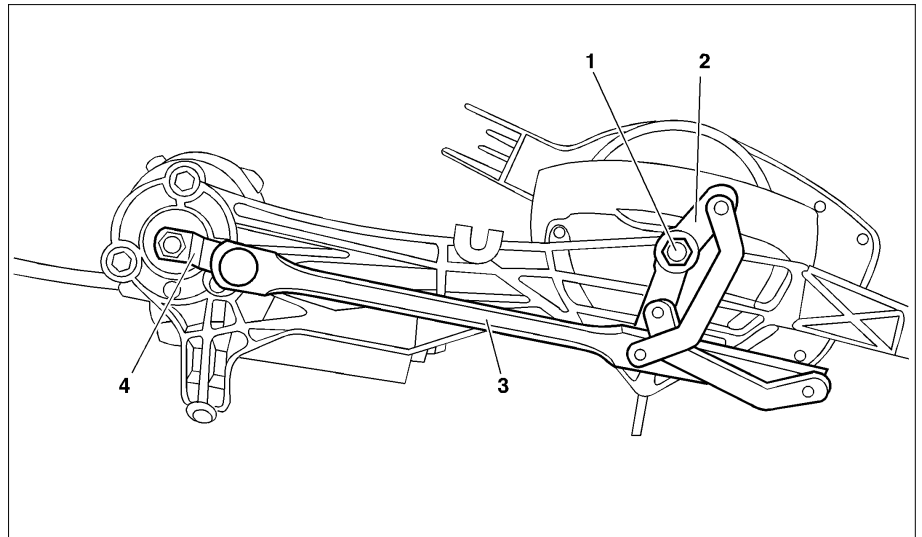


MODEL 202, 208, 210

- 1 Nut of wiper gear head shaft
- 2 Wiper gear head crank arm
- 3 Wiper linkage
- 4 Wiper motor crank arm



P82.30-0007-05

Modification notes

14.4.08	When detaching crank arm, counterhold wiper motor shaft	Operation step 9, 15	
---------	---	----------------------	--

	Removing		
1	Withdraw ignition key		
2	Remove wiper arm		AR82.30-P-6100E
3	Open engine hood and move to vertical position	Model 202	AR88.40-P-1000E
		Model 208, 210	AR88.40-P-1000F
4	Remove air inlet	Model 202, 208	AR83.25-P-1401E
		Model 210, left	AR83.25-P-1403F
		Model 210, right	AR83.25-P-1404F
5	Remove wiper system	Model 202, 208	AR82.30-P-6400E
		Model 210	AR82.30-P-6400F
6	Set wiper gear head basic setting		AR82.30-P-6800-02E
7	Unscrew nut of wiper gear head shaft (1)		
8	Pry off wiper gear head crank arm (2)		
9	Unscrew nut on wiper motor shaft.	⚠ Counterhold wiper motor shaft with open end wrench, as otherwise damages may occur at wiper motor drive.	
10	Pry off wiper linkage (3) from wiper motor crank arm (4)		
11	Remove wiper linkage (3)		
	Install		
12	Move wiper motor to parking position		AR82.30-P-6800-01E
13	Attach wiper linkage (3)		
14	Press wiper linkage (3) onto wiper motor crank arm (4)		
15	Screw nut onto wiper motor shaft.	⚠ Counterhold wiper motor shaft with open end wrench, as otherwise damages may occur at wiper motor drive. Nm	*BA82.30-P-1002-01A
16	Wiper gear head basic setting		AR82.30-P-6800-02E
17	Press wiper gear head crank arm (2) onto wiper gear head shaft	Note position: Wiper motor crank arm (4) and wiper linkage (3) must be installed in extended position.	
18	Screw on nut of wiper gear head shaft (1)	Nm	*BA82.30-P-1003-01A
19	Install wiper system	Model 202, 208 Model 210	AR82.30-P-6400E AR82.30-P-6400F
20	Install wiper arm		AR82.30-P-6100E
21	Install air inlet	Model 202, 208 Model 210, left Model 210, right	AR83.25-P-1401E AR83.25-P-1403F AR83.25-P-1404F
22	Close engine hood	Model 202	AR88.40-P-1000E

Nm Windshield wiper

Number	Designation		Model 202	Model 208	Model 210
BA82.30-P-1002-01A	Nut on wiper motor shaft	Nm	19	19	19
BA82.30-P-1003-01A	Nut of wiper gear head shaft	Nm	19	19	19