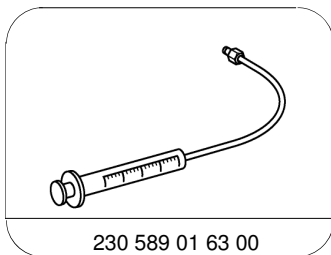


Nm Hydraulic convertible top

Number	Designation	Model
		230 up to vehicle ident. no. 112116
BA77.37-P-1005-01A	Filler screw on hydraulic unit	Nm 8.0

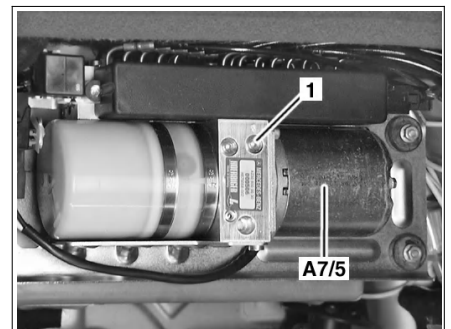
Soft top hydraulic system

Number	Designation	Model
		230 up to vehicle ident. no.112116
BF77.37-P-1001-01A	Filling capacity Soft top hydraulic system oil reservoir	Liters 0.132
	Specifications for Operating Fluids	Sheet BB00.40-P-0343-00A

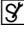


Filler syringe

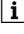
- 1 Unscrew oil filler screw (1) on RVC [UVS] hydraulic unit (A7/5).

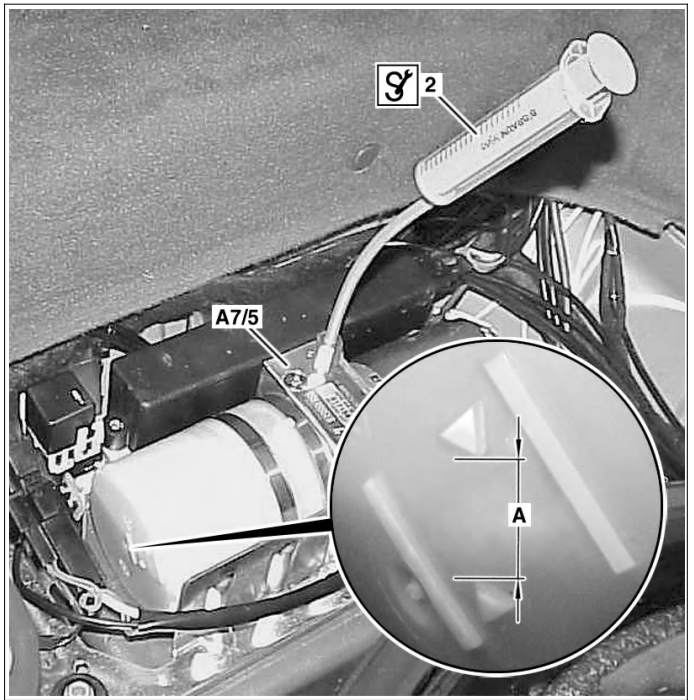


P77.37-2070-01

2  Screw filler syringe (2) into RVC [UVS] hydraulic unit (A7/5)

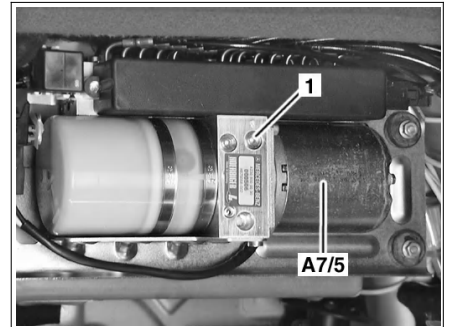
3 Add hydraulic oil.

 The oil level (A) must be between the two triangular oil level markings on the oil reservoir of the RVC [UVS] hydraulic unit (A7/5).



P77.37-2068-12

4 Screw oil filler screw (1) into RVC [UVS] hydraulic unit (A7/5).



P77.37-2070-01